

# SHARP PARTS GUIDE

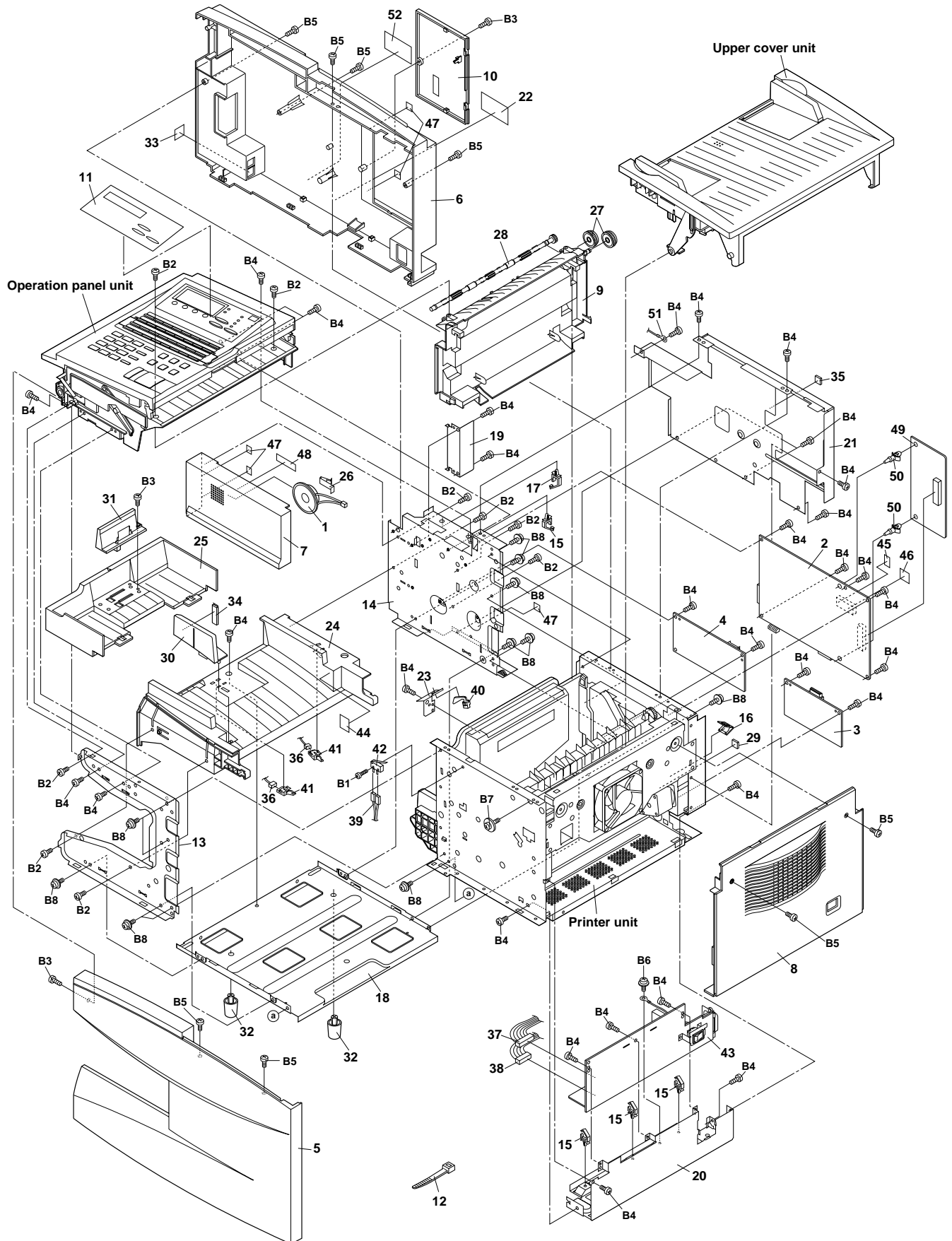
## MODEL FO-5800

### CONTENTS

1	Exterior, etc. (1)	14	3rd. cassette (1)
2	Exterior, etc. (2)	15	3rd. cassette (2)
3	Exterior, etc. (3)	16	Packing material & Accessories
4	Operation panel unit	17	Control PWB unit
5	Document guide upper unit	18	Liu PWB unit
6	Drive unit	19	Printer PWB unit
7	Scanner frame unit	20	Power supply PWB unit
8	Frames	21	Operation panel PWB unit
9	Paper take up section	22	High voltage PWB unit
10	Fusing unit	23	Toner empty PWB unit
11	Drive/Transfer section	24	2nd. cassette PWB unit
12	2nd. cassette (1)	25	3rd. cassette PWB unit
13	2nd. cassette (2)	26	Memory PWB unit
		■	Index

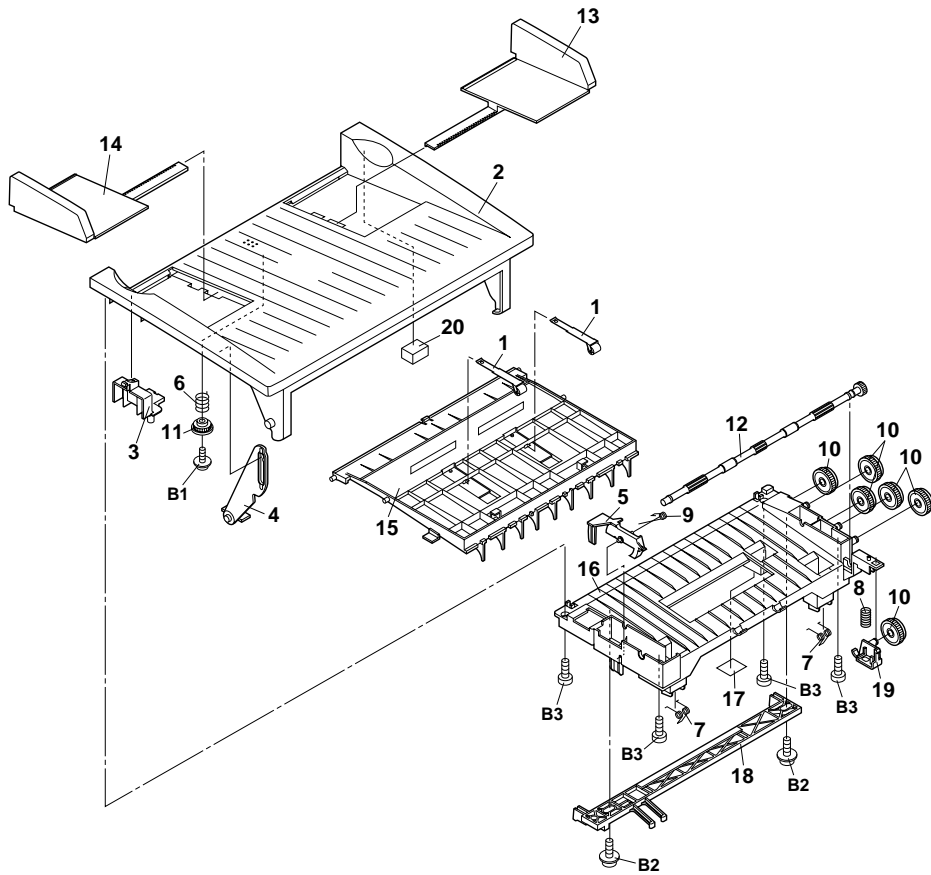
Because parts marked with "▲" is indispensable for the machine safety maintenance and operation, it must be replaced with the parts specified in the product specification.

[1] Exterior, etc. (1)

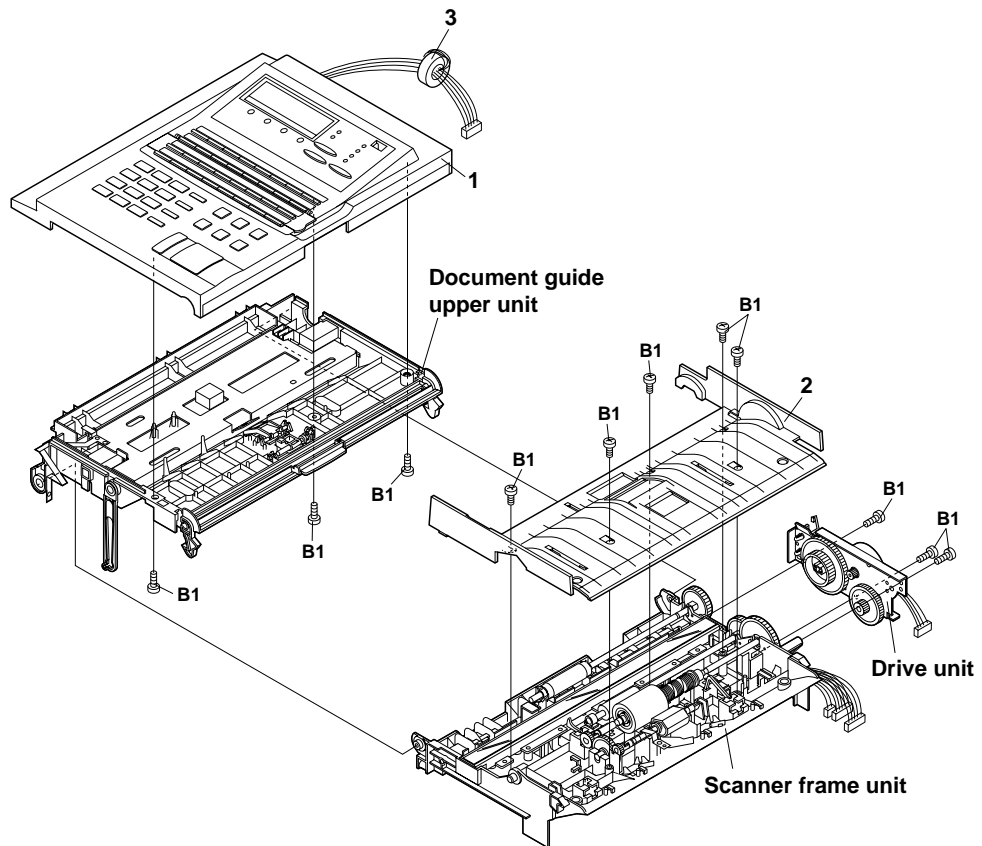




[2] Exterior, etc. (2)

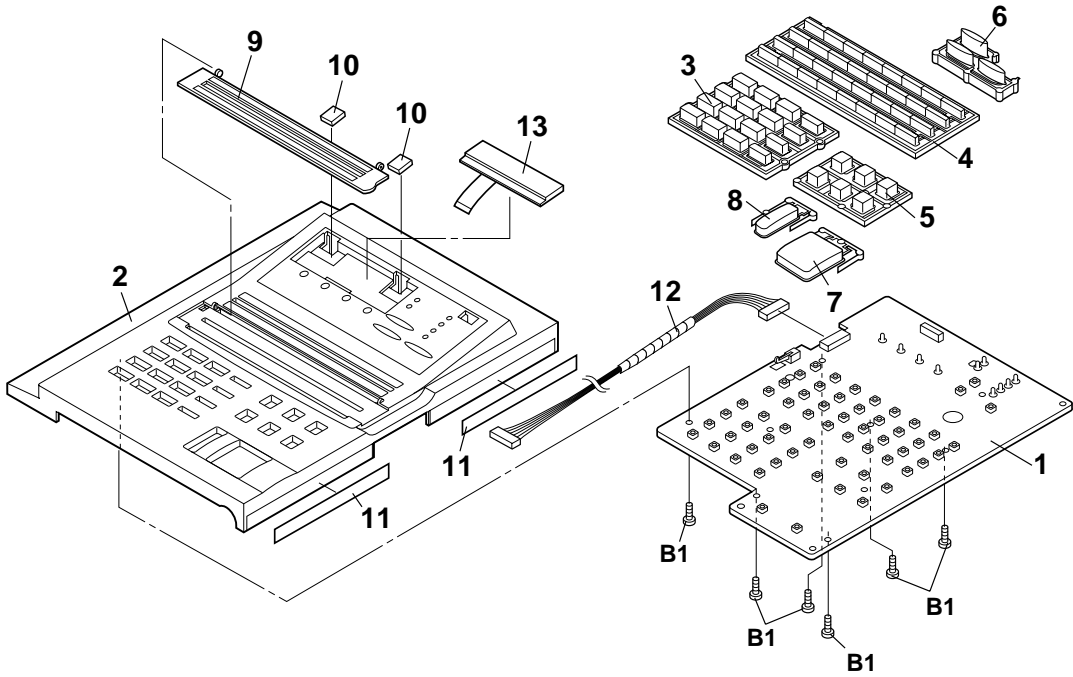


[3] Exterior, etc. (3)

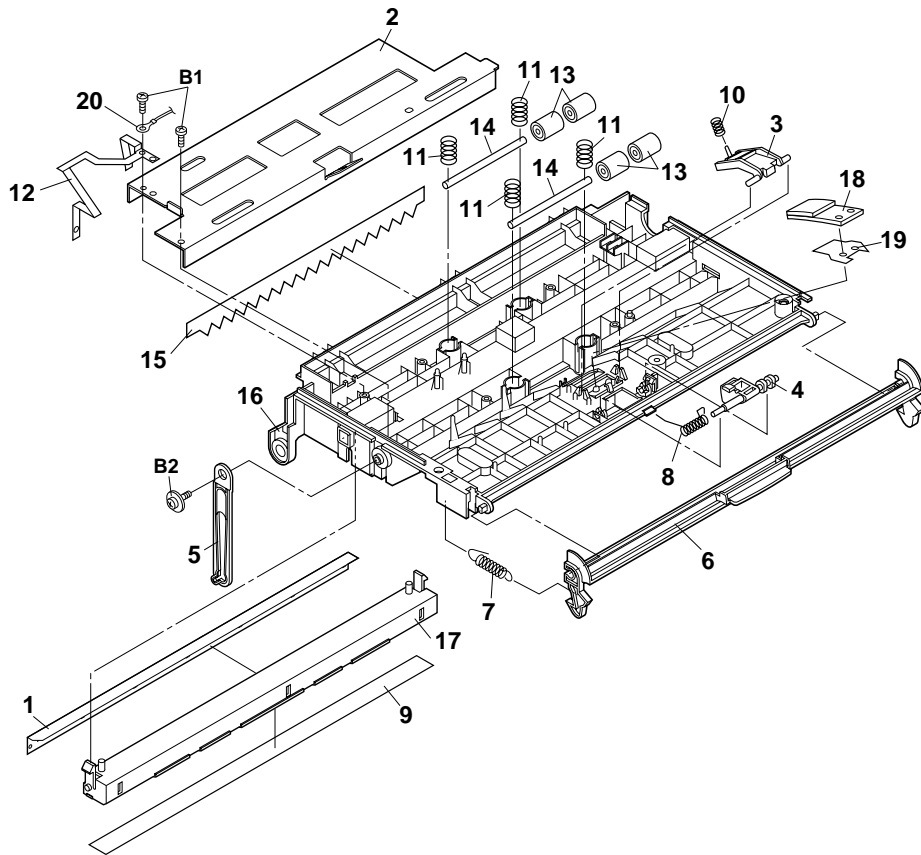




[4] Operation panel unit

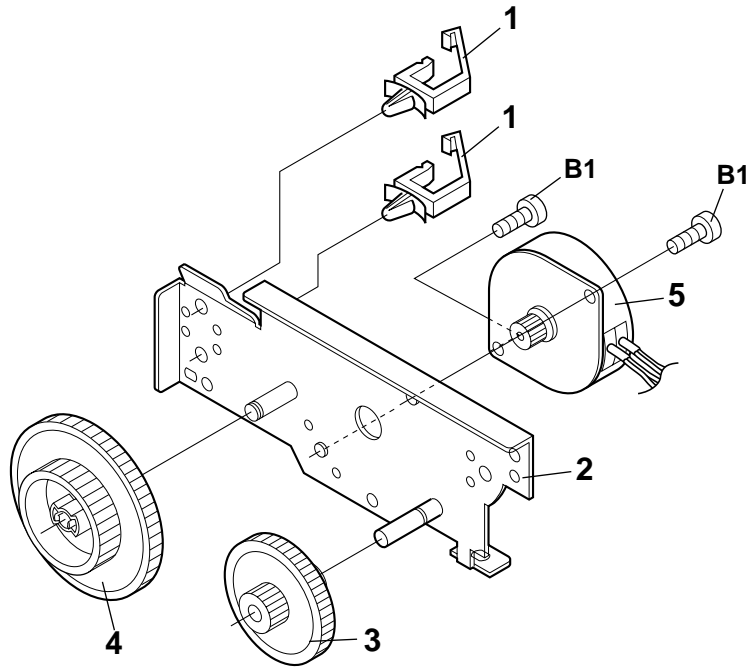


[5] Document guide upper unit

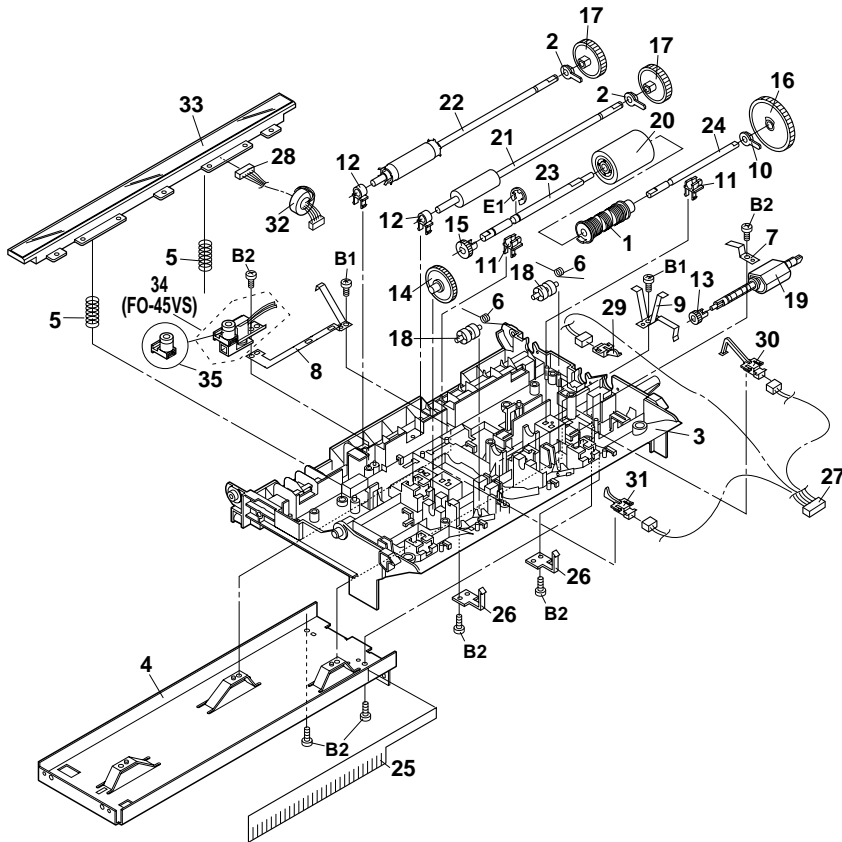




[6] Drive unit



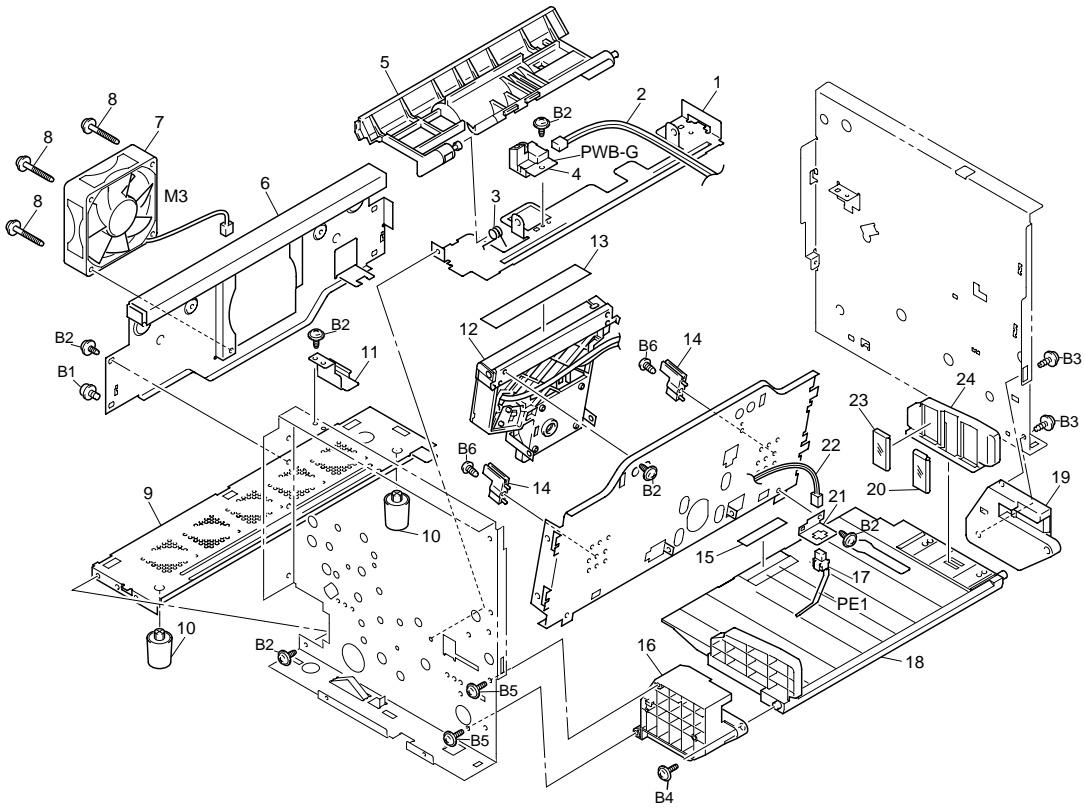
[7] Scanner frame unit



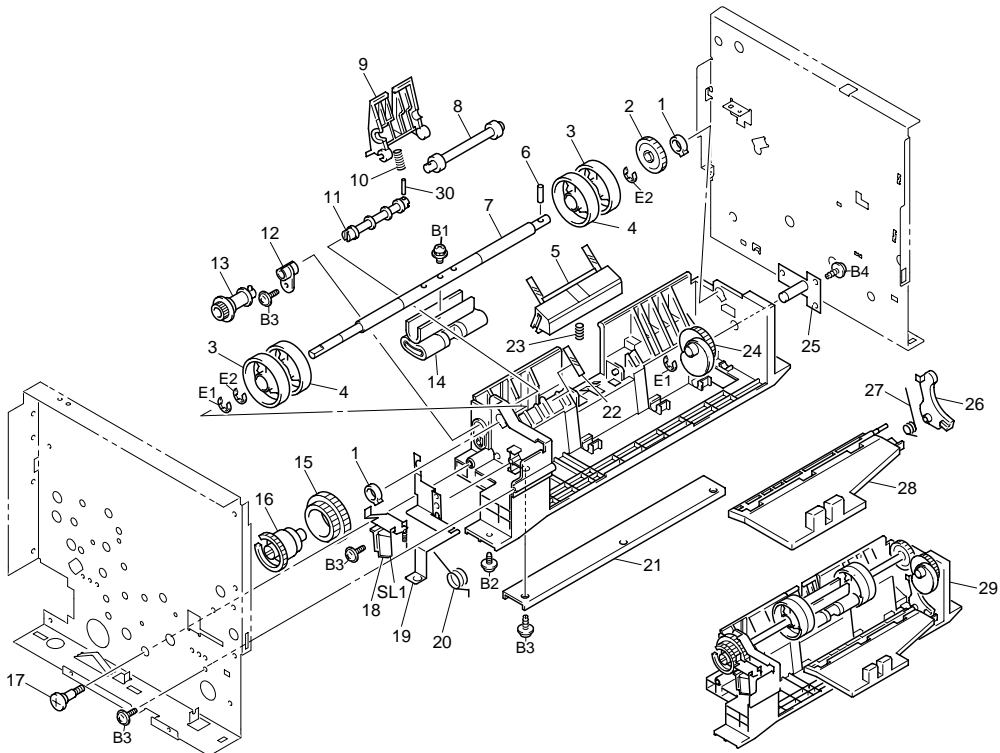




[8] Frames

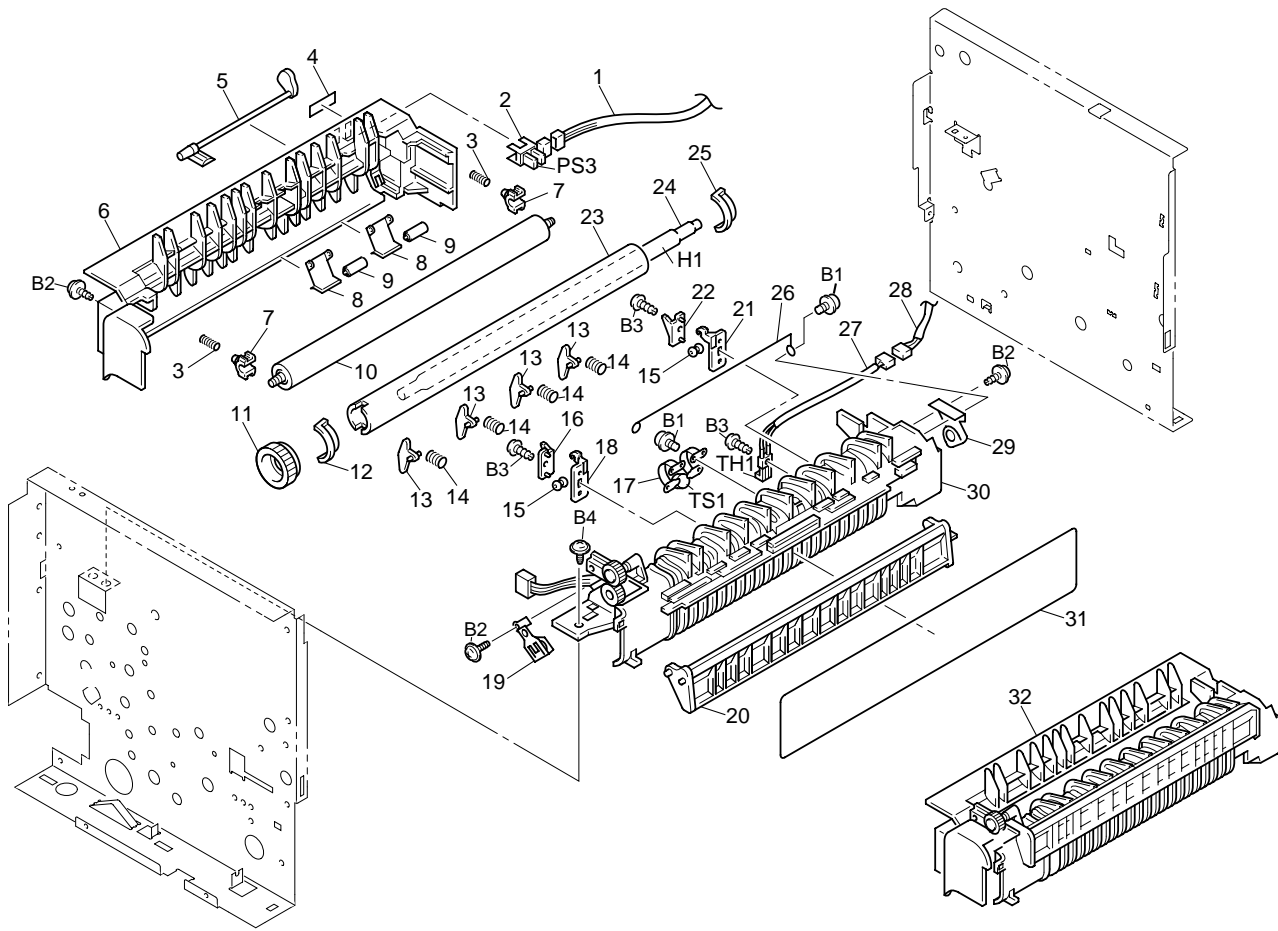


[9] Paper take up section



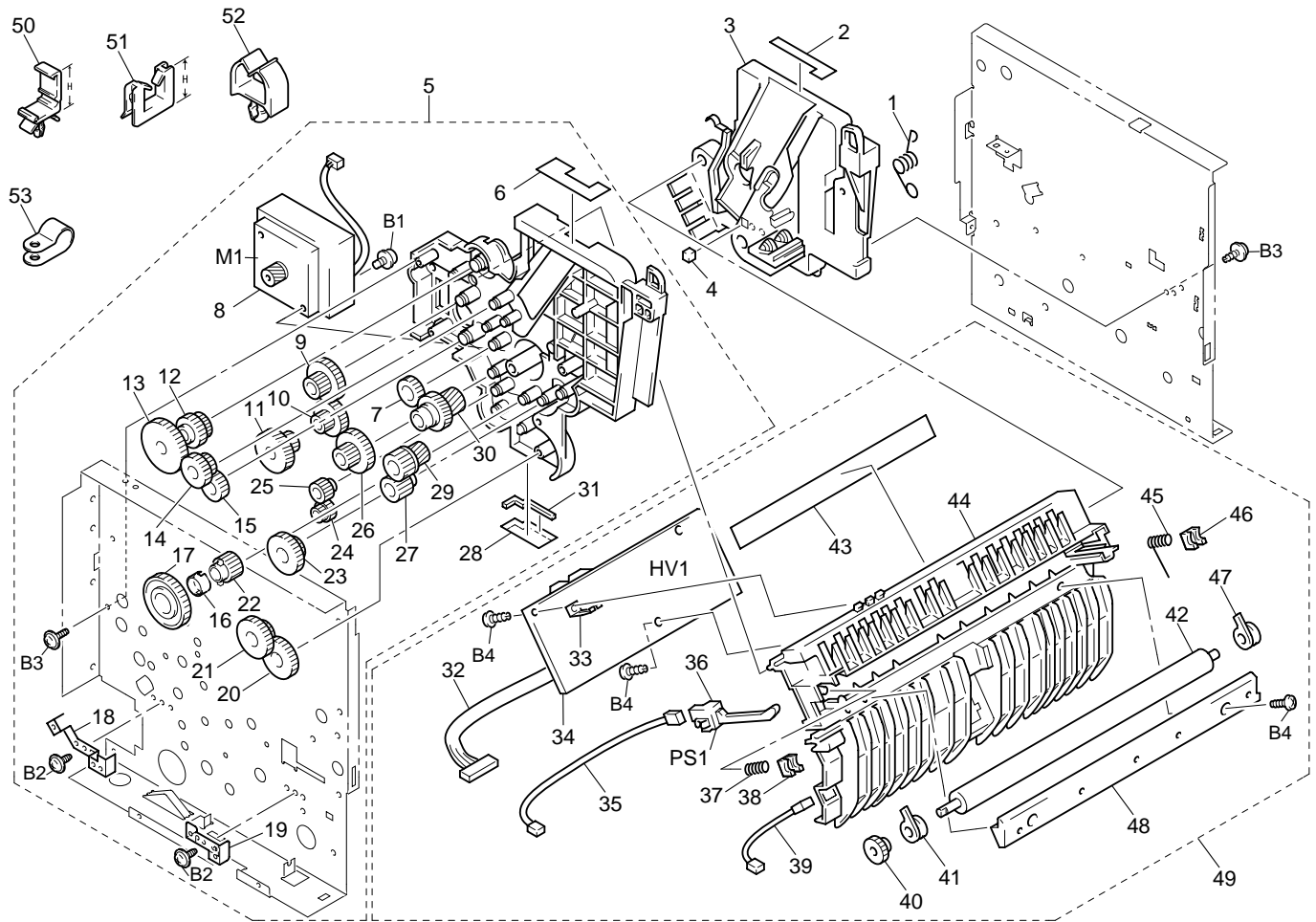


[10] Fusing unit



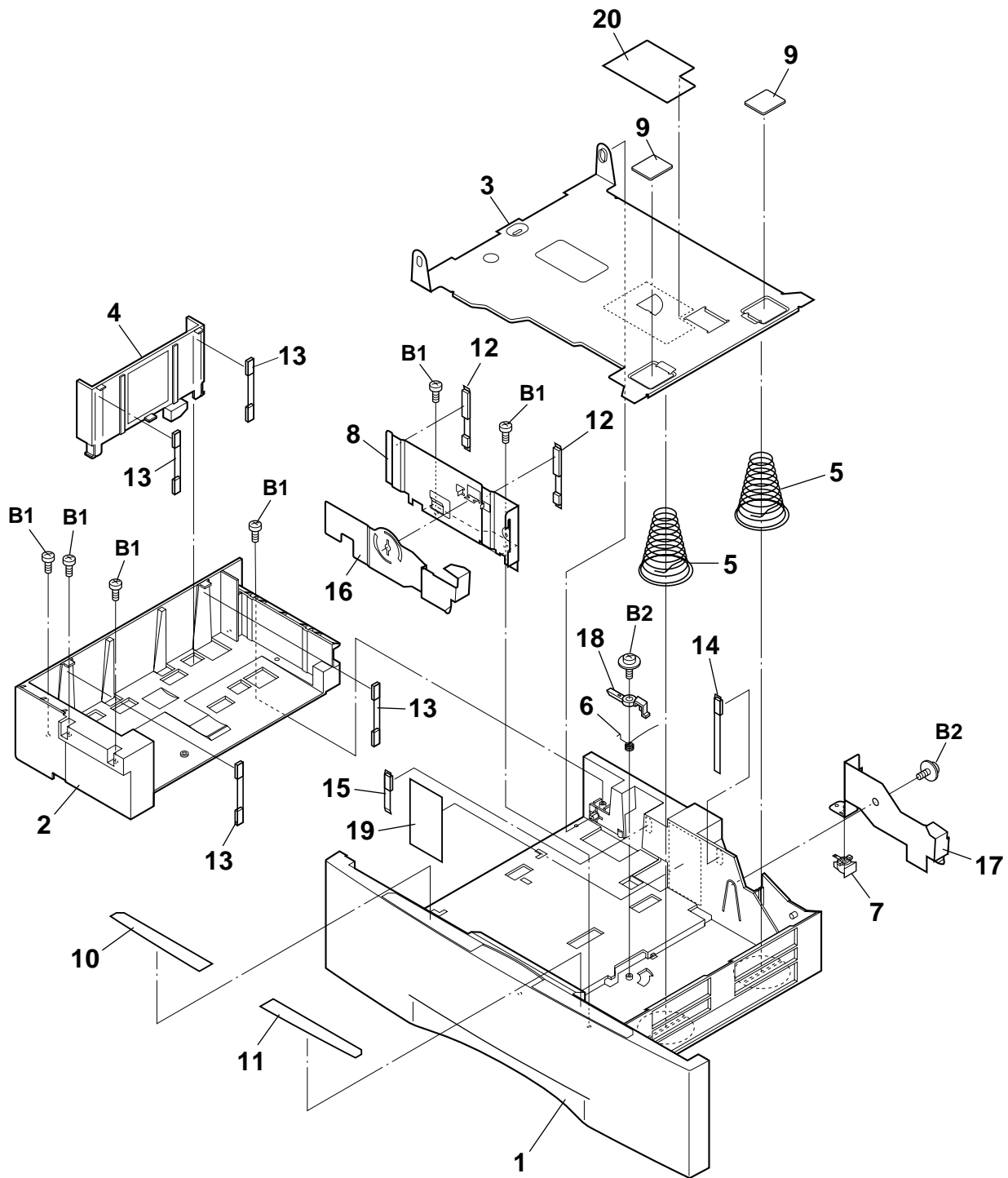


[11] Drive/Transfer section





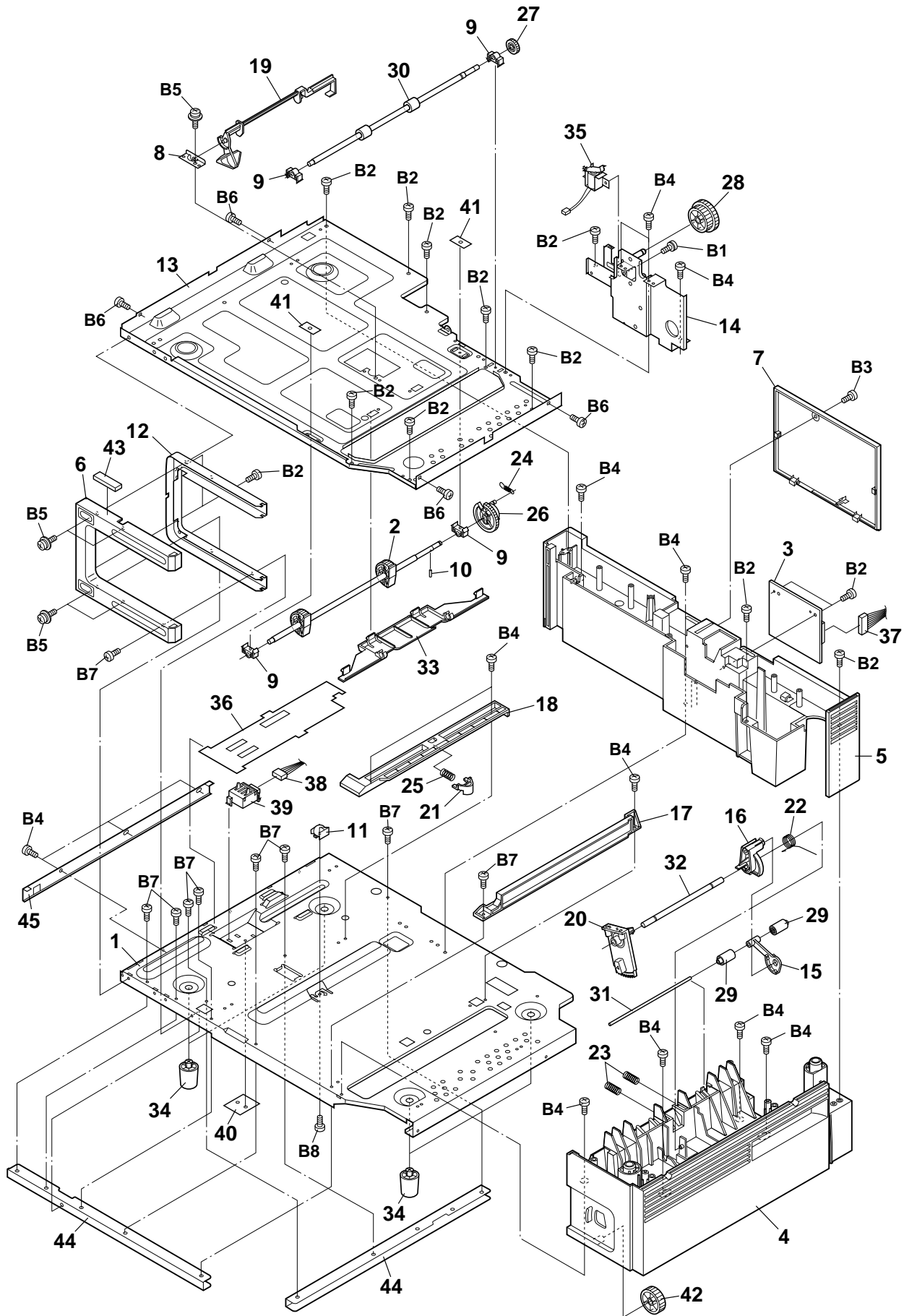
[12] 2nd. cassette (1)





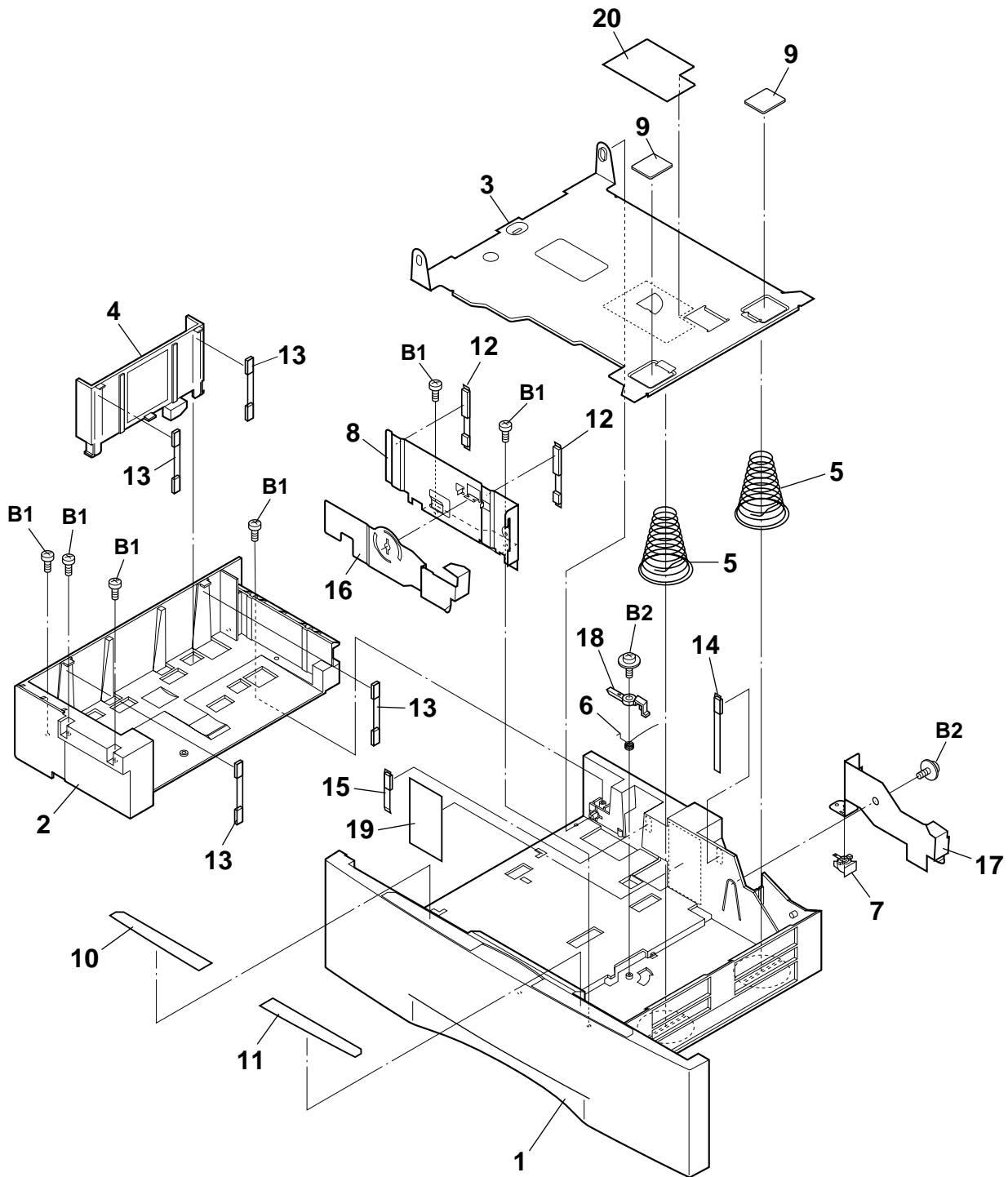


[13] 2nd. cassette (2)



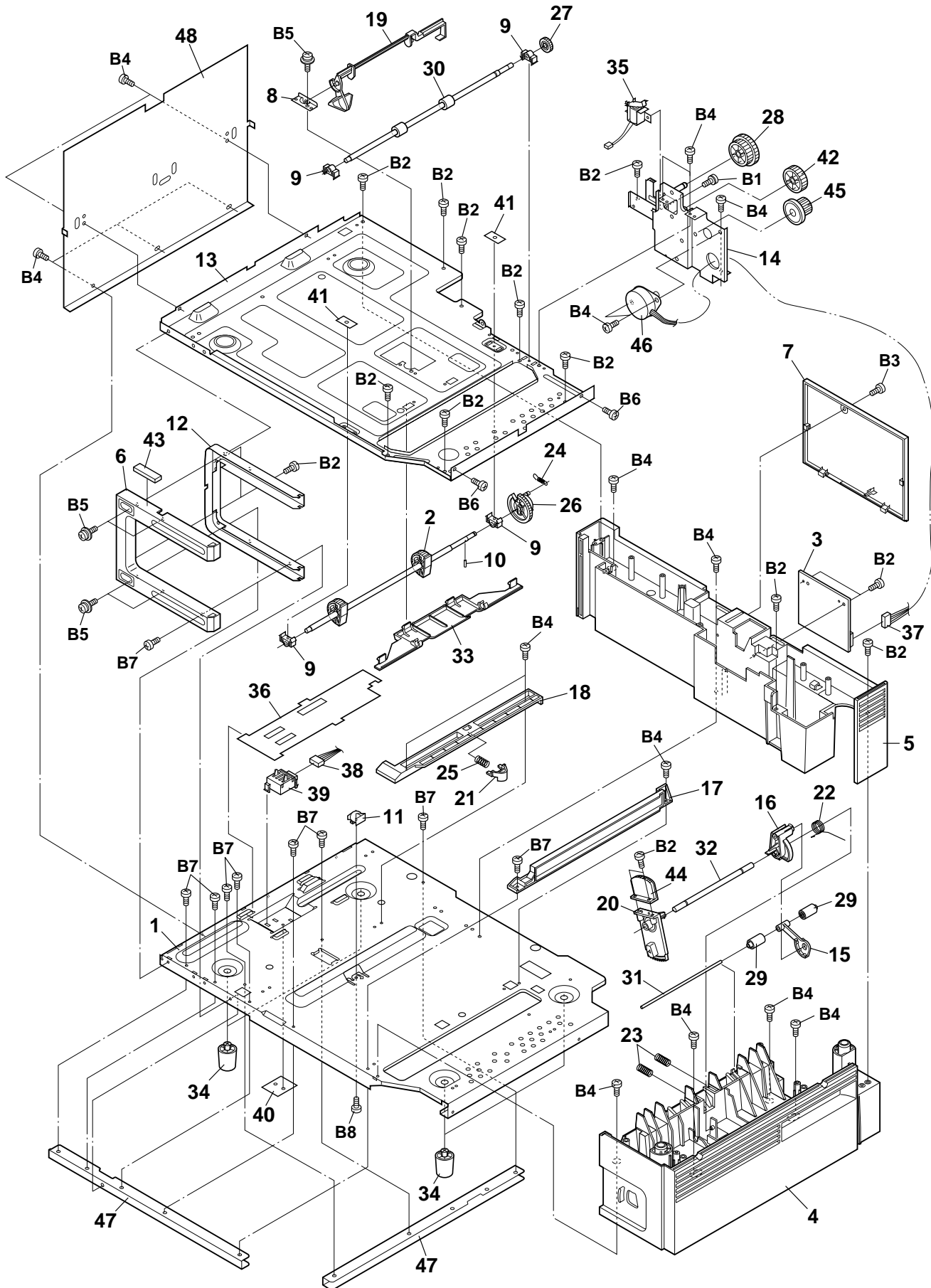


[14] 3rd. cassette (1)



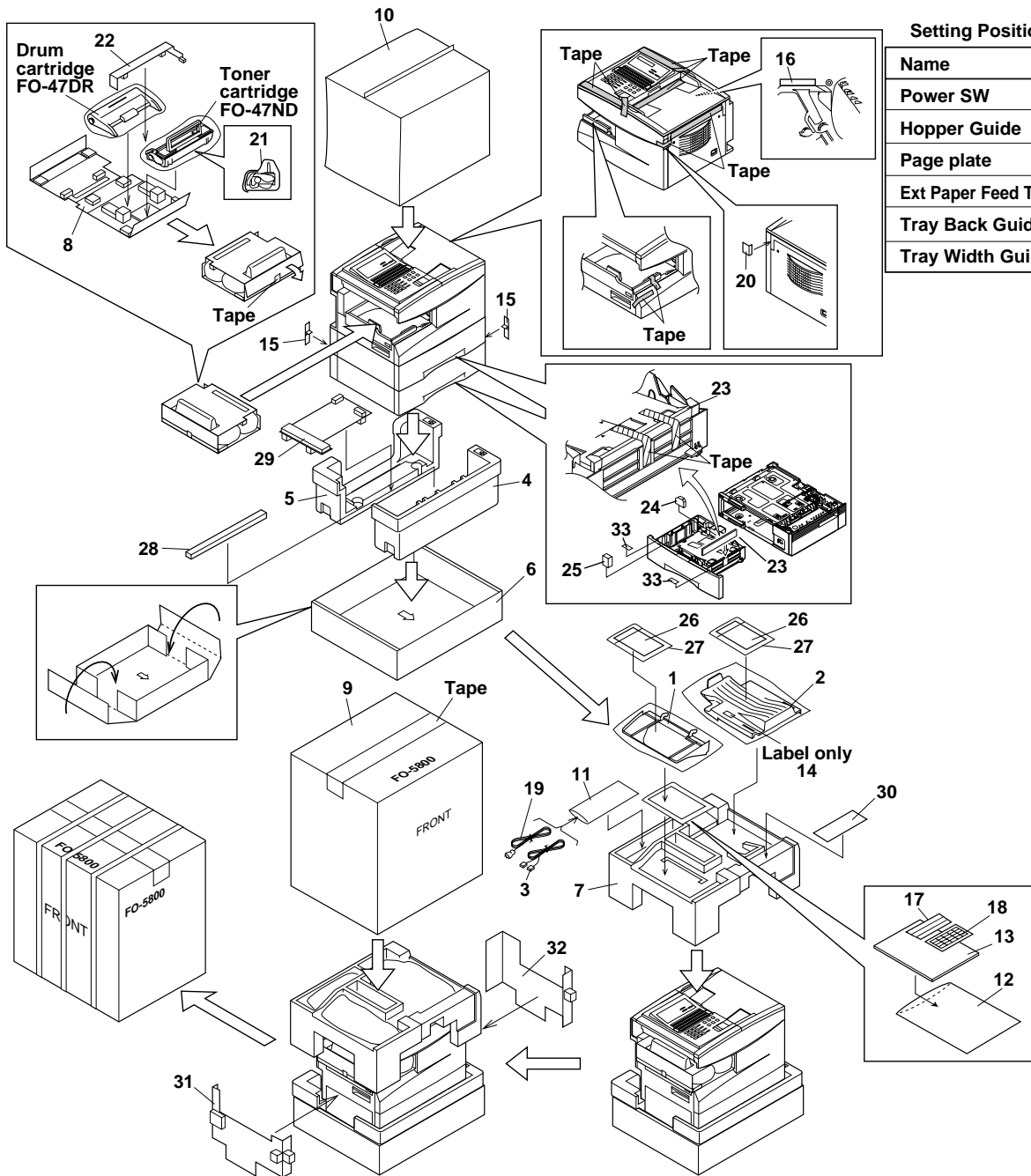


[15] 3rd. cassette (2)





[16] Packing material & Accessories



Setting Position Before Packing

Name	Setting Position
Power SW	OFF
Hopper Guide	Setting to Wide Side
Page plate	Normal Position
Ext Paper Feed Tray	LTR
Tray Back Guide	LTR
Tray Width Guide	LTR





NO.	PARTS CODE	PRICE RANK	NEW MARK	PART RANK	DESCRIPTION
[17] Control PWB unit					
1	UBATL2071XHZZ	AL		B	Battery [BT1]
2	VCEAGA1HW107M	AA		C	Capacitor(50WV 100μF) [C2]
3	VCEAGA1CW476M	AB		C	Capacitor(16WV 47μF) [C3]
4	VCEAGA1CW476M	AB		C	Capacitor(16WV 47μF) [C4]
5	VCEAGA1HW475M	AA		C	Capacitor(50WV 4.7μF) [C7]
6	VCEAGA1HW105M	AB		C	Capacitor(50WV 1μF) [C8]
7	VCEAGA1CW476M	AB		C	Capacitor(16WV 47μF) [C9]
8	VCEAEA1CW336M	AB		C	Capacitor(16WV 33μF) [C10]
9	VCEAEA1CW336M	AB		C	Capacitor(16WV 33μF) [C11]
10	VCEAEA1VW476M	AH		C	Capacitor(35WV 47μF) [C12]
11	VCEAEA1CW336M	AB		C	Capacitor(16WV 33μF) [C13]
12	VCEAGA1EW106M	AA		C	Capacitor(25WV 10μF) [C14]
13	VCEAGA1EW106M	AA		C	Capacitor(25WV 10μF) [C15]
14	VCEAGA1EW106M	AA		C	Capacitor(25WV 10μF) [C16]
15	VCEAGA1EW106M	AA		C	Capacitor(25WV 10μF) [C17]
16	VCEAGA1EW106M	AA		C	Capacitor(25WV 10μF) [C18]
17	VCEAGA1EW476M	AA		C	Capacitor(25WV 47μF) [C19]
18	VCEAGA1CW476M	AB		C	Capacitor(16WV 47μF) [C20]
19	VCKYTV1EF104Z	AA		C	Capacitor(25WV 0.1μF) [C100]
20	VCKYTV1EF104Z	AA		C	Capacitor(25WV 0.1μF) [C103]
21	VCKYTV1EF104Z	AA		C	Capacitor(25WV 0.1μF) [C104]
22	VCKYTV1CF105Z	AB		C	Capacitor(16WV 1μF) [C106]
23	VCKYTV1EF104Z	AA		C	Capacitor(25WV 0.1μF) [C107]
24	VCKYTV1HF104Z	AA		C	Capacitor(50WV 0.1μF) [C108]
25	VCKYTV1EF104Z	AA		C	Capacitor(25WV 0.1μF) [C109]
26	VCKYTV1EF104Z	AA		C	Capacitor(25WV 0.1μF) [C111]
27	VCKYTV1EF104Z	AA		C	Capacitor(25WV 0.1μF) [C112]
28	VCKYTV1HB222K	AA		C	Capacitor(50WV 2200PF) [C113]
29	VCKYTV1HB222K	AA		C	Capacitor(50WV 2200PF) [C114]
30	VCKYTV1EF104Z	AA		C	Capacitor(25WV 0.1μF) [C115]
31	VCKYTV1EF104Z	AA		C	Capacitor(25WV 0.1μF) [C116]
32	VCKYTV1EF104Z	AA		C	Capacitor(25WV 0.1μF) [C117]
33	VCCCTV1HH180J	AA		C	Capacitor(50WV 18PF) [C118]
34	VCKYTV1EF104Z	AA		C	Capacitor(25WV 0.1μF) [C119]
35	VCKYTV1EF104Z	AA		C	Capacitor(25WV 0.1μF) [C120]
36	VCKYTV1EF104Z	AA		C	Capacitor(25WV 0.1μF) [C121]
37	VCKYTV1EF104Z	AA		C	Capacitor(25WV 0.1μF) [C122]
38	VCKYTV1HF103Z	AA		C	Capacitor(50WV 0.01μF) [C123]
39	VCKYTV1EF104Z	AA		C	Capacitor(25WV 0.1μF) [C124]
40	VCKYTV1HF103Z	AA		C	Capacitor(50WV 0.01μF) [C125]
41	VCCCTV1HH7R0D	AC		C	Capacitor(50WV 7PF) [C126]
42	VCKYTV1EF104Z	AA		C	Capacitor(25WV 0.1μF) [C127]
43	VCCSTV1HL471J	AC		C	Capacitor(50WV 470PF) [C128]
44	VCCSTV1HL331J	AA		C	Capacitor(50WV 330PF) [C130]
45	VCCSTV1HL471J	AC		C	Capacitor(50WV 470PF) [C131]
46	VCCSTV1HL331J	AA		C	Capacitor(50WV 330PF) [C132]
47	VCKYTV1EF104Z	AA		C	Capacitor(25WV 0.1μF) [C133]
48	VCKYTV1EF104Z	AA		C	Capacitor(25WV 0.1μF) [C134]
49	VCKYTV1EF104Z	AA		C	Capacitor(25WV 0.1μF) [C135]
50	VCKYTV1EF104Z	AA		C	Capacitor(25WV 0.1μF) [C137]
51	VCKYTV1EF104Z	AA		C	Capacitor(25WV 0.1μF) [C138]
52	VCCCTV1HH120J	AA		C	Capacitor(50WV 12PF) [C139]
53	VCKYTV1EF104Z	AA		C	Capacitor(25WV 0.1μF) [C142]
54	VCKYTV1HB222K	AA		C	Capacitor(50WV 2200PF) [C143]
55	VCKYTV1HB222K	AA		C	Capacitor(50WV 2200PF) [C144]
56	VCKYTV1HB102K	AA		C	Capacitor(50WV 1000PF) [C146]
57	VCCSTV1HL331J	AA		C	Capacitor(50WV 330PF) [C147]
58	VCKYTV1EF104Z	AA		C	Capacitor(25WV 0.1μF) [C148]
59	VCKYTV1EF104Z	AA		C	Capacitor(25WV 0.1μF) [C149]
60	VRS-TS2AD000J	AA		C	Resistor(1/10W 0Ω ±5%) [C151]
61	VCKYTV1EF104Z	AA		C	Capacitor(25WV 0.1μF) [C153]
62	VCKYTV1HB222K	AA		C	Capacitor(50WV 2200PF) [C154]
63	VCKYTV1EF104Z	AA		C	Capacitor(25WV 0.1μF) [C155]
64	VCCCTV1HH7R0D	AC		C	Capacitor(50WV 7PF) [C156]
65	VCKYTV1HB222K	AA		C	Capacitor(50WV 2200PF) [C157]
66	VCKYTV1CF105Z	AB		C	Capacitor(16WV 1μF) [C158]
67	VCKYTV1CF105Z	AB		C	Capacitor(16WV 1μF) [C160]
68	VCCCTV1HH300J	AA		C	Capacitor(50WV 30PF) [C161]
69	VCCSTV1HL102J	AA		C	Capacitor(50WV 1000PF) [C162]
70	VCCCTV1HH101J	AA		C	Capacitor(50WV 100PF) [C163]
71	VCKYTV1EF104Z	AA		C	Capacitor(25WV 0.1μF) [C164]
72	VCKYTV1CF105Z	AB		C	Capacitor(16WV 1μF) [C166]
73	VCKYTV1EF104Z	AA		C	Capacitor(25WV 0.1μF) [C167]
74	VCKYTV1EF104Z	AA		C	Capacitor(25WV 0.1μF) [C168]
75	VCCCTV1HH300J	AA		C	Capacitor(50WV 30PF) [C169]
76	VCKYTV1EF104Z	AA		C	Capacitor(25WV 0.1μF) [C170]
77	VCKYTV1EF104Z	AA		C	Capacitor(25WV 0.1μF) [C171]
78	VCKYTV1EF104Z	AA		C	Capacitor(25WV 0.1μF) [C174]
79	VCKYTV1HB222K	AA		C	Capacitor(50WV 2200PF) [C177]
80	VCCCTV1HH120J	AA		C	Capacitor(50WV 12PF) [C178]

NO.	PARTS CODE	PRICE RANK	NEW MARK	PART RANK	DESCRIPTION	
[17] Control PWB unit						
81	VCKYTV1EF104Z	AA		C	Capacitor(25WV 0.1μF)	[C179]
82	VCKYTV1EF104Z	AA		C	Capacitor(25WV 0.1μF)	[C180]
83	VCKYTV1EF104Z	AA		C	Capacitor(25WV 0.1μF)	[C181]
84	VCKYTV1EF104Z	AA		C	Capacitor(25WV 0.1μF)	[C182]
85	VCKYTV1HB102K	AA		C	Capacitor(50WV 1000PF)	[C183]
86	VCKYTV1EF104Z	AA		C	Capacitor(25WV 0.1μF)	[C189]
87	VCKYTV1EF104Z	AA		C	Capacitor(25WV 0.1μF)	[C190]
88	VCKYTV1EF104Z	AA		C	Capacitor(25WV 0.1μF)	[C192]
89	VCKYTV1EF104Z	AA		C	Capacitor(25WV 0.1μF)	[C196]
90	VCKYTV1HB222K	AA		C	Capacitor(50WV 2200PF)	[C197]
91	VCKYTV1HB222K	AA		C	Capacitor(50WV 2200PF)	[C198]
92	VCKYTV1HB103K	AB		C	Capacitor(50WV 0.01μF)	[C200]
93	VCKYTV1EF104Z	AA		C	Capacitor(25WV 0.1μF)	[C202]
94	VCKYTV1HB222K	AA		C	Capacitor(50WV 2200PF)	[C203]
95	VCKYTV1EF104Z	AA		C	Capacitor(25WV 0.1μF)	[C205]
96	VCKYTV1EF104Z	AA		C	Capacitor(25WV 0.1μF)	[C206]
97	VCKYTV1EF104Z	AA		C	Capacitor(25WV 0.1μF)	[C207]
98	VCKYTV1EF104Z	AA		C	Capacitor(25WV 0.1μF)	[C208]
99	VCKYTV1EF104Z	AA		C	Capacitor(25WV 0.1μF)	[C211]
100	VCKYTV1EF104Z	AA		C	Capacitor(25WV 0.1μF)	[C212]
101	VCKYTV1EF104Z	AA		C	Capacitor(25WV 0.1μF)	[C221]
102	VCKYTV1EB104K	AA		C	Capacitor(25WV 0.1μF)	[C222]
103	VCKYTV1HB472K	AA		C	Capacitor(50WV 4700PF)	[C223]
104	VCKYTV1EF104Z	AA		C	Capacitor(25WV 0.1μF)	[C226]
105	VCKYTV1HB222K	AA		C	Capacitor(50WV 2200PF)	[C227]
106	VCKYTV1EF104Z	AA		C	Capacitor(25WV 0.1μF)	[C228]
107	VCKYTV1HB222K	AA		C	Capacitor(50WV 2200PF)	[C229]
108	VCKYTV1HB222K	AA		C	Capacitor(50WV 2200PF)	[C230]
109	VCKYTV1HB222K	AA		C	Capacitor(50WV 2200PF)	[C231]
110	VCKYTV1HB222K	AA		C	Capacitor(50WV 2200PF)	[C232]
111	VCKYTV1EF104Z	AA		C	Capacitor(25WV 0.1μF)	[C233]
112	VCKYTV1EF104Z	AA		C	Capacitor(25WV 0.1μF)	[C234]
113	VCCCTV1HH270J	AC		C	Capacitor(50WV 27PF)	[C235]
114	VCCCTV1HH200J	AA		C	Capacitor(50WV 20PF)	[C236]
115	VCKYTV1EF104Z	AA		C	Capacitor(25WV 0.1μF)	[C237]
116	VCKYTV1HB222K	AA		C	Capacitor(50WV 2200PF)	[C238]
117	VCKYTV1EF104Z	AA		C	Capacitor(25WV 0.1μF)	[C239]
118	VCKYTV1EF104Z	AA		C	Capacitor(25WV 0.1μF)	[C241]
119	VCCCTV1HH100D	AA		C	Capacitor(50WV 10PF)	[C242]
120	VCCCTV1HH100D	AA		C	Capacitor(50WV 10PF)	[C243]
121	VCKYTV1EF104Z	AA		C	Capacitor(25WV 0.1μF)	[C245]
122	VCKYTV1EF104Z	AA		C	Capacitor(25WV 0.1μF)	[C246]
123	VCKYTV1EF104Z	AA		C	Capacitor(25WV 0.1μF)	[C247]
124	VCKYTV1EF104Z	AA		C	Capacitor(25WV 0.1μF)	[C249]
125	VCKYTV1EF104Z	AA		C	Capacitor(25WV 0.1μF)	[C250]
126	VCKYTV1EF104Z	AA		C	Capacitor(25WV 0.1μF)	[C251]
127	VCKYTV1EF104Z	AA		C	Capacitor(25WV 0.1μF)	[C252]
128	VCCSTV1HL331J	AA		C	Capacitor(50WV 330PF)	[C269]
129	VCKYTV1EB104K	AA		C	Capacitor(25WV 0.1μF)	[C270]
130	VCKYTV1EF104Z	AA		C	Capacitor(25WV 0.1μF)	[C273]
131	VCKYTV1CF105Z	AB		C	Capacitor(16WV 1μF)	[C274]
132	VCKYTV1EF104Z	AA		C	Capacitor(25WV 0.1μF)	[C275]
133	VCKYTV1EF104Z	AA		C	Capacitor(25WV 0.1μF)	[C277]
134	VCCCTV1HH120J	AA		C	Capacitor(50WV 12PF)	[C278]
135	VCCCTV1HH180J	AA		C	Capacitor(50WV 18PF)	[C279]
136	VCKYTV1HF104Z	AA		C	Capacitor(50WV 0.1μF)	[C280]
137	VCKYTV1EF104Z	AA		C	Capacitor(25WV 0.1μF)	[C401]
138	VCKYTV1EF104Z	AA		C	Capacitor(25WV 0.1μF)	[C403]
139	VCKYTV1HB222K	AA		C	Capacitor(50WV 2200PF)	[C404]
140	VCKYTV1HB222K	AA		C	Capacitor(50WV 2200PF)	[C405]
141	VCKYTV1HB222K	AA		C	Capacitor(50WV 2200PF)	[C406]
142	VCKYTV1HB222K	AA		C	Capacitor(50WV 2200PF)	[C407]
143	VCKYTV1HB222K	AA		C	Capacitor(50WV 2200PF)	[C408]
144	VCKYTV1HB222K	AA		C	Capacitor(50WV 2200PF)	[C409]
145	VCKYTV1HB222K	AA		C	Capacitor(50WV 2200PF)	[C410]
146	VCKYTV1CF105Z	AB		C	Capacitor(16WV 1μF)	[C421]
147	VCKYTV1HB102K	AA		C	Capacitor(50WV 1000PF)	[C422]
148	VCKYTV1EF104Z	AA		C	Capacitor(25WV 0.1μF)	[C426]
149	VCCCTV1HH101J	AA		C	Capacitor(50WV 100PF)	[C428]
150	VCKYTV1HB222K	AA		C	Capacitor(50WV 2200PF)	[C500]
151	VCKYTV1HB222K	AA		C	Capacitor(50WV 2200PF)	[C501]
152	VCKYTV1HB103K	AB		C	Capacitor(50WV 0.01μF)	[C502]
153	VCCCTV1HH100D	AA		C	Capacitor(50WV 10PF)	[C503]
154	VCCCTV1HH3R0C	AA	N	C	Capacitor(50WV 3PF)	[C504]
155	VCKYTV1EF104Z	AA		C	Capacitor(25WV 0.1μF)	[C505]
156	VCKYTV1EB104K	AA		C	Capacitor(25WV 0.1μF)	[C506]
157	VCKYTV1EB104K	AA		C	Capacitor(25WV 0.1μF)	[C507]
158	VCKYTV1EB104K	AA		C	Capacitor(25WV 0.1μF)	[C508]
159	VCKYTV1EB104K	AA		C	Capacitor(25WV 0.1μF)	[C509]
160	VCCSTV1HL181J	AD		C	Capacitor(50WV 180PF)	[C510]

NO.	PARTS CODE	PRICE RANK	NEW MARK	PART RANK	DESCRIPTION	
[17] Control PWB unit						
161	VCKYTV1EB104K	AA		C	Capacitor(25WV 0.1μF)	[C511]
162	VCKYTV1EF104Z	AA		C	Capacitor(25WV 0.1μF)	[C512]
163	VCKYTV1CF225Z	AD		C	Capacitor(16WV 2.2μF)	[C513]
164	VCKYTV1EF104Z	AA		C	Capacitor(25WV 0.1μF)	[C514]
165	VCKYTV1EF104Z	AA		C	Capacitor(25WV 0.1μF)	[C515]
166	VCKYTV1EF104Z	AA		C	Capacitor(25WV 0.1μF)	[C516]
167	VCKYTV1CF105Z	AB		C	Capacitor(16WV 1μF)	[C517]
168	VCKYTV1EF104Z	AA		C	Capacitor(25WV 0.1μF)	[C518]
169	VCKYTV1EF104Z	AA		C	Capacitor(25WV 0.1μF)	[C519]
170	VCKYTV1EF104Z	AA		C	Capacitor(25WV 0.1μF)	[C520]
171	VCKYTV1HF104Z	AA		C	Capacitor(50WV 0.1μF)	[C521]
172	VCKYTV1EF104Z	AA		C	Capacitor(25WV 0.1μF)	[C522]
173	VCKYTV1EF104Z	AA		C	Capacitor(25WV 0.1μF)	[C523]
174	VCKYTV1EF104Z	AA		C	Capacitor(25WV 0.1μF)	[C524]
175	VCKYTV1HB331K	AA	N	C	Capacitor(50WV 330PF)	[C525]
176	VCKYTV1HB221K	AA		C	Capacitor(50WV 220PF)	[C526]
177	VCCCTV1HH101J	AA		C	Capacitor(50WV 100PF)	[C527]
178	VCKYTV1HB102K	AA		C	Capacitor(50WV 1000PF)	[C528]
179	VCKYTV1EF104Z	AA		C	Capacitor(25WV 0.1μF)	[C529]
180	VCKYTV1EB104K	AA		C	Capacitor(25WV 0.1μF)	[C530]
181	VCKYTV1CF225Z	AD		C	Capacitor(16WV 2.2μF)	[C532]
182	VCCCTV1HH470J	AA		C	Capacitor(50WV 47PF)	[C533]
183	VCCCTV1HH470J	AA		C	Capacitor(50WV 47PF)	[C534]
184	QCNCM7014SC1J	AC		C	Connector(10pin)	[CNCIS]
185	QCNCM2499SC0I	AE		C	Connector(9pin)	[CNLIU]
186	QCNCM2589SC5J	AL		C	Connector(50pin)	[CNOP]
187	QCNCM2525SC4J	AK		C	Connector(40pin)	[CNP CIF]
188	QCNCM2482SC2D	AB		C	Connector(24pin)	[CNPN]
189	QCNCM2525SC3J	AH		C	Connector(30pin)	[CNPRT]
190	QCNCM7014SC1B	AD		C	Connector(12pin)	[CNPW]
191	QCNCM7014SC0H	AB		C	Connector(8pin)	[CNSEN]
192	QCNCM2401SC0B	AA		C	Connector(2pin)	[CNSP]
193	QCNCM7014SC0B	AD		C	Connector(2pin)	[CNSTP]
194	QCNCM7014SC0D	AB		C	Connector(4pin)	[CNTXM]
195	VHDSR104///-1	AF		B	Diode(SR104)	[D1]
196	VHDSR104///-1	AF		B	Diode(SR104)	[D2]
197	VHDSR104///-1	AF		B	Diode(SR104)	[D3]
198	VHDSR104///-1	AF		B	Diode(SR104)	[D4]
199	VHDDAP202U/-1	AB		B	Diode(DAP202U)	[D5]
200	VHDDA204K//1	AC		B	Diode(DA204K)	[D100]
201	VHD1SS355//1	AB		B	Diode(1SS355)	[D101]
202	VHDHRW0502A-1	AD		B	Diode(HRW0502A)	[D102]
203	VHDHRW0502A-1	AD		B	Diode(HRW0502A)	[D103]
204	VHDHRW0502A-1	AD		B	Diode(HRW0502A)	[D104]
205	VHDHRW0502A-1	AD		B	Diode(HRW0502A)	[D105]
206	VHDHRW0502A-1	AD		B	Diode(HRW0502A)	[D106]
207	VHDHRW0502A-1	AD		B	Diode(HRW0502A)	[D107]
208	VHDHRW0502A-1	AD		B	Diode(HRW0502A)	[D108]
209	VHDHRW0502A-1	AD		B	Diode(HRW0502A)	[D109]
210	VHDHRW0502A-1	AD		B	Diode(HRW0502A)	[D112]
211	VHDHRW0502A-1	AD		B	Diode(HRW0502A)	[D115]
212	VHDDA204K//1	AC		B	Diode(DA204K)	[D120]
213	VHDHRW0502A-1	AD		B	Diode(HRW0502A)	[D121]
214	VHDHRW0502A-1	AD		B	Diode(HRW0502A)	[D122]
215	VHDHRW0502A-1	AD		B	Diode(HRW0502A)	[D123]
216	VHDHRW0502A-1	AD		B	Diode(HRW0502A)	[D124]
217	VHDHRW0502A-1	AD		B	Diode(HRW0502A)	[D125]
218	VHDHRW0502A-1	AD		B	Diode(HRW0502A)	[D126]
219	VHDHRW0502A-1	AD		B	Diode(HRW0502A)	[D127]
220	VHDHRW0502A-1	AD		B	Diode(HRW0502A)	[D128]
221	VHDHRW0502A-1	AD		B	Diode(HRW0502A)	[D133]
222	VHDHRW0502A-1	AD		B	Diode(HRW0502A)	[D139]
223	VHDHRW0502A-1	AD		B	Diode(HRW0502A)	[D140]
224	VHD1SS355//1	AB		B	Diode(1SS355)	[D141]
225	VHDHRW0502A-1	AD		B	Diode(HRW0502A)	[D142]
226	VHDHRW0502A-1	AD		B	Diode(HRW0502A)	[D145]
227	VHD1SS355//1	AB		B	Diode(1SS355)	[D500]
228	VHD1SS355//1	AB		B	Diode(1SS355)	[D501]
229	VHVICPS10//1	AG		B	Chip fuse(ICP-S1.0)	[F100]
230	VHVICPS18//1	AE		B	Chip fuse(ICP-S1.8)	[F101]
231	VHIBU4066BCF1	AD		B	IC,ANALOG SW(BU4066)	[IC1]
232	VHINJM2904M-1	AE		B	IC,DUAL OPE AMP.(NJM2904M)	[IC2]
233	VHILH5116NA10	AL		B	IC,16Kbit SRAM(LH5116NA-10)	[IC3]
234	QSOCZ2066SC42	AP		C	IC Socket(42pin)	[IC4]
235	VHI27160FBN0A	BQ	N	B	IC,16Mbit EPROM(16MB)	[IC4][U]
	VHI27160FBP0A	BQ	N	B	IC,16Mbit EPROM(16MB)	[IC4][C]
236	VHIHD74HC04FM	AC		B	IC,HEX INVERTER(74HC04)	[IC5]
237	VHILC82103/-1	BA		B	IC,IMAGE SIGNAL PROCESSOR(LC82103)	[IC6]
238	VHILB1845//1	AY		B	IC,Motor Driver(LB1845)	[IC7]
239	VHIHD74HC157F	AH		B	IC,QUAD2-TO-10ATASELECTORS(74HC157)	[IC8]

NO.	PARTS CODE	PRICE RANK	NEW MARK	PART RANK	DESCRIPTION	
[17] Control PWB unit						
240	VH1M16E//J-6	AZ		B	IC,16Mbit DRAM(HY5118164)	[IC9]
241	VHILR38292/-1	AY		B	IC, Gate Array(B)(LR38292)	[IC10]
242	VHIBA10393F-1	AC		B	IC,COMPARATOR(BA10393F)	[IC11]
243	VHIHD813201F1	BE		B	IC,IDP201(CODEC)(HD813201F)	[IC12]
244	VHIHD74HC32FM	AC		B	IC,QUADRUPLE 2-INPUT OR GATE(74HC32)	[IC13]
245	VHI74VHC04F-1	AE		B	IC,HEX INVERTER(74VHC04)	[IC14]
246	VHIHD74LV08T1	AE		B	IC,QUADRUPLE 2-INPUT AND GATE(74LV08A)	[IC15]
247	VH1M16E//J-6	AZ		B	IC,16Mbit DRAM(HY5118164)	[IC16]
248	VHILZ9FJ59/-1	AX		B	IC, Gate Array(A)(LZ9FJ59)	[IC17]
249	VHIHD74LS374F	AF		B	IC,OCTAL D-TYPE FLIP-FLOPS(HD74LS374)	[IC18]
250	VHIHD74HC74FM	AD		B	IC,DUAL D-TYPE FLIP-FLOPS(74HC74)	[IC19]
251	VHIHD74LS244F	AF		B	IC,OCTAL BUFFERS(HD74LS244)	[IC20]
252	VHIW24010S7LE	AZ		B	IC,1Mbit SRAM(W24010S-70L)	[IC21]
253	VHIHD74HC14FM	AF		B	IC,SCHMITT-TRIGER INVERTER(74HC14)	[IC22]
254	VHIM65761FP-1	BD	N	B	IC,JBIG(M65761FP)	[IC23]
255	VHIHCF4053M1T	AG		B	IC,2ch. ANALOG MULTIPLEXER(HCF4053)	[IC25]
256	VHIHD74HC08FM	AF		B	IC,QUADRUPLE 2-INPUT AND GATE(74HC08)	[IC26]
257	VHIHD7021606A	BE		B	IC,CPU SH-1(MASK)(SH7021)	[IC27]
258	VHIHD74HC08FM	AF		B	IC,QUADRUPLE 2-INPUT AND GATE(74HC08)	[IC28]
259	VHISM8578BV-1	AK		B	IC,Real Time clock(SM8578BV)	[IC30]
260	VHINJM2113M-1	AG		B	IC,SPEAKER AMP.(NJM2113M)	[IC33]
261	VHIHD74HC14FM	AF		B	IC,SCHMITT-TRIGER INVERTER(74HC14)	[IC34]
262	VHI74VHC393FT	AK		B	IC,DUAL D-TYPE FLIP-FLOPS(74VHC393)	[IC35]
263	VHIW24010S7LE	AZ		B	IC,1Mbit SRAM(W24010S-70L)	[IC36]
264	VHIPST596CMT1	AF		B	IC,SYSTEM RESET(PST596)	[IC37]
265	VHIR288F26/-1	BV	N	B	IC,33600bps FAX MODEM(R288F)	[IC41]
266	VHITC7S04FU-1	AD		B	IC,INVERTER(TC7S04FU)	[IC42]
267	VHINJM2902M-1	AF		B	IC,QUADRUPLE OPE AMP.(NJM2902M)	[IC43]
268	VHINJM2904M-1	AE		B	IC,DUAL OPE AMP.(NJM2904M)	[IC44]
269	VHINJM78M12-1	AG	N	B	IC,REGULATOR(NJM78M12)	[IC45]
270	VHITC7S00FU-1	AE		B	IC,NAND GATE(TC7S00FU)	[IC46]
271	VHIAD8051//1	AN		B	IC,OPE AMP.(AD8051)	[IC100]
272	VHITC74HC04F	AE		B	IC,INVERTER(74HC04)	[IC101]
273	VHIN78L05UA-1	AK		B	IC,REGULATOR(NJM78L05UA)	[IC500]
274	VRS-TS2AD000J	AA		C	Resistor(1/10W 0Ω ±5%)	[L100]
275	VRS-TS2AD000J	AA		C	Resistor(1/10W 0Ω ±5%)	[L101]
276	VRS-TS2AD100J	AA		C	Resistor(1/10W 10Ω ±5%)	[L103]
277	VRS-TS2AD000J	AA		C	Resistor(1/10W 0Ω ±5%)	[L104]
278	VP-1M1R0J0000	AC	N	C	Coil(1μH)	[L500]
279	VRS-TS2AD000J	AA		C	Resistor(1/10W 0Ω ±5%)	[L501]
280	VRS-TS2AD000J	AA		C	Resistor(1/10W 0Ω ±5%)	[L502]
281	VS2SD1164//1	AE		B	Transistor(2SD1164)	[Q1]
282	VS2SD1664Q/-1	AD		B	Transistor(2SD1664Q)	[Q100]
283	VS2SA1037KR-1	AB		B	Transistor(2SA1037K)	[Q101]
284	VSDTC114EK/-1	AB		B	Transistor(DTC114EK)	[Q102]
285	VSDTC114EK/-1	AB		B	Transistor(DTC114EK)	[Q103]
286	VSDTC114EK/-1	AB		B	Transistor(DTC114EK)	[Q104]
287	VSDTC114EK/-1	AB		B	Transistor(DTC114EK)	[Q105]
288	VSDTA114EK/-1	AB		B	Transistor(DTA114EK)	[Q106]
289	VSDTA114EK/-1	AB		B	Transistor(DTA114EK)	[Q107]
290	VSDTC114EK/-1	AB		B	Transistor(DTC114EK)	[Q500]
291	VSDTC114EK/-1	AB		B	Transistor(DTC114EK)	[Q501]
292	VSDTC114EK/-1	AB		B	Transistor(DTC114EK)	[Q502]
293	VRS-HT3AAR47J	AC		C	Resistor(1W 0.47Ω ±5%)	[R1]
294	VRS-HT3AAR47J	AC		C	Resistor(1W 0.47Ω ±5%)	[R2]
295	VRD-HT2HY910J	AA		C	Resistor(1/2W 91Ω ±5%)	[R4]
296	VRD-HT2HY910J	AA		C	Resistor(1/2W 91Ω ±5%)	[R5]
297	VRD-HT2EY000J	AA		C	Resistor(1/4W 0Ω ±5%)	[R6]
298	VRS-TS2AD103J	AA		C	Resistor(1/10W 10KΩ ±5%)	[R101]
299	VRS-TS2AD000J	AA		C	Resistor(1/10W 0Ω ±5%)	[R102]
300	VRS-TS2AD000J	AA		C	Resistor(1/10W 0Ω ±5%)	[R103]
301	VRS-TP2BD222J	AA		C	Resistor(1/8W 2.2KΩ ±5%)	[R104]
302	VRS-TS2AD000J	AA		C	Resistor(1/10W 0Ω ±5%)	[R105]
303	VRS-TS2AD271J	AA		C	Resistor(1/10W 270Ω ±5%)	[R106]
304	VRS-TS2AD330J	AA		C	Resistor(1/10W 33Ω ±5%)	[R107]
305	VRS-TS2AD103J	AA		C	Resistor(1/10W 10KΩ ±5%)	[R108]
306	VRS-TS2AD103J	AA		C	Resistor(1/10W 10KΩ ±5%)	[R110]
307	VRS-TS2AD101J	AA		C	Resistor(1/10W 100Ω ±5%)	[R112]
308	VRS-TS2AD101J	AA		C	Resistor(1/10W 100Ω ±5%)	[R113]
309	VRS-TS2AD105J	AA		C	Resistor(1/10W 1.0MΩ ±5%)	[R114]
310	VRS-TS2AD100J	AA		C	Resistor(1/10W 10Ω ±5%)	[R115]
311	VRS-TS2AD100J	AA		C	Resistor(1/10W 10Ω ±5%)	[R116]
312	VRS-TS2AD103J	AA		C	Resistor(1/10W 10KΩ ±5%)	[R118]
313	VRS-TS2AD271J	AA		C	Resistor(1/10W 270Ω ±5%)	[R119]
314	VRS-TS2AD332J	AA		C	Resistor(1/10W 3.3KΩ ±5%)	[R120]
315	VRS-TS2AD271J	AA		C	Resistor(1/10W 270Ω ±5%)	[R121]
316	VRS-TS2AD103J	AA		C	Resistor(1/10W 10KΩ ±5%)	[R122]
317	VRS-TS2AD562J	AA		C	Resistor(1/10W 5.6KΩ ±5%)	[R123]
318	VRS-TS2AD000J	AA		C	Resistor(1/10W 0Ω ±5%)	[R124]
319	VRS-TS2AD182J	AA		C	Resistor(1/10W 1.8KΩ ±5%)	[R125]

NO.	PARTS CODE	PRICE RANK	NEW MARK	PART RANK	DESCRIPTION	
[17] Control PWB unit						
320	VRS-TS2AD302J	AA		C	Resistor(1/10W 3K $\Omega$ $\pm$ 5%)	[R126]
321	VRS-TS2AD000J	AA		C	Resistor(1/10W 0 $\Omega$ $\pm$ 5%)	[R128]
322	VRS-TS2AD000J	AA		C	Resistor(1/10W 0 $\Omega$ $\pm$ 5%)	[R129]
323	VRS-TS2AD000J	AA		C	Resistor(1/10W 0 $\Omega$ $\pm$ 5%)	[R131]
324	VRS-TS2AD000J	AA		C	Resistor(1/10W 0 $\Omega$ $\pm$ 5%)	[R133]
325	VRS-TS2AD000J	AA		C	Resistor(1/10W 0 $\Omega$ $\pm$ 5%)	[R134]
326	VRS-TS2AD102J	AA		C	Resistor(1/10W 1K $\Omega$ $\pm$ 5%)	[R136]
327	VRS-TS2AD000J	AA		C	Resistor(1/10W 0 $\Omega$ $\pm$ 5%)	[R137]
328	VRS-TS2AD105J	AA		C	Resistor(1/10W 1.0M $\Omega$ $\pm$ 5%)	[R138]
329	VRS-TS2AD000J	AA		C	Resistor(1/10W 0 $\Omega$ $\pm$ 5%)	[R139]
330	VRS-TS2AD000J	AA		C	Resistor(1/10W 0 $\Omega$ $\pm$ 5%)	[R140]
331	VRS-TS2AD000J	AA		C	Resistor(1/10W 0 $\Omega$ $\pm$ 5%)	[R141]
332	VRS-TS2AD223F	AA		C	Resistor(1/10W 22K $\Omega$ $\pm$ 1%)	[R142]
333	VRS-TS2AD563F	AA		C	Resistor(1/10W 56K $\Omega$ $\pm$ 1%)	[R143]
334	VRS-TS2AD333F	AB		C	Resistor(1/10W 33K $\Omega$ $\pm$ 1%)	[R144]
335	VRS-TS2AD393F	AA		C	Resistor(1/10W 39K $\Omega$ $\pm$ 1%)	[R145]
336	VRS-TS2AD102J	AA		C	Resistor(1/10W 1K $\Omega$ $\pm$ 5%)	[R146]
337	VRS-TS2AD472J	AA		C	Resistor(1/10W 4.7K $\Omega$ $\pm$ 5%)	[R147]
338	VRS-TS2AD563F	AA		C	Resistor(1/10W 56K $\Omega$ $\pm$ 1%)	[R148]
339	VRS-TS2AD102J	AA		C	Resistor(1/10W 1K $\Omega$ $\pm$ 5%)	[R149]
340	VRS-TS2AD330J	AA		C	Resistor(1/10W 33 $\Omega$ $\pm$ 5%)	[R158]
341	VRS-TS2AD330J	AA		C	Resistor(1/10W 33 $\Omega$ $\pm$ 5%)	[R159]
342	VRS-TS2AD332J	AA		C	Resistor(1/10W 3.3K $\Omega$ $\pm$ 5%)	[R160]
343	VRS-TS2AD102J	AA		C	Resistor(1/10W 1K $\Omega$ $\pm$ 5%)	[R161]
344	VRS-TS2AD271J	AA		C	Resistor(1/10W 270 $\Omega$ $\pm$ 5%)	[R162]
345	VRS-TS2AD271J	AA		C	Resistor(1/10W 270 $\Omega$ $\pm$ 5%)	[R163]
346	VRS-TS2AD271J	AA		C	Resistor(1/10W 270 $\Omega$ $\pm$ 5%)	[R164]
347	VRS-TS2AD271J	AA		C	Resistor(1/10W 270 $\Omega$ $\pm$ 5%)	[R165]
348	VRS-TS2AD271J	AA		C	Resistor(1/10W 270 $\Omega$ $\pm$ 5%)	[R167]
349	VRS-TS2AD271J	AA		C	Resistor(1/10W 270 $\Omega$ $\pm$ 5%)	[R168]
350	VRS-TS2AD271J	AA		C	Resistor(1/10W 270 $\Omega$ $\pm$ 5%)	[R169]
351	VRS-TS2AD271J	AA		C	Resistor(1/10W 270 $\Omega$ $\pm$ 5%)	[R170]
352	VRS-TS2AD302J	AA		C	Resistor(1/10W 3K $\Omega$ $\pm$ 5%)	[R171]
353	VRS-TS2AD000J	AA		C	Resistor(1/10W 0 $\Omega$ $\pm$ 5%)	[R172]
354	VRS-TS2AD271J	AA		C	Resistor(1/10W 270 $\Omega$ $\pm$ 5%)	[R173]
355	VRS-TS2AD000J	AA		C	Resistor(1/10W 0 $\Omega$ $\pm$ 5%)	[R175]
356	VRS-TS2AD271J	AA		C	Resistor(1/10W 270 $\Omega$ $\pm$ 5%)	[R176]
357	VRS-TS2AD271J	AA		C	Resistor(1/10W 270 $\Omega$ $\pm$ 5%)	[R177]
358	VRS-TS2AD103J	AA		C	Resistor(1/10W 10K $\Omega$ $\pm$ 5%)	[R178]
359	VRS-TS2AD562J	AA		C	Resistor(1/10W 5.6K $\Omega$ $\pm$ 5%)	[R179]
360	VRS-TS2AD103J	AA		C	Resistor(1/10W 10K $\Omega$ $\pm$ 5%)	[R181]
361	VRS-TS2AD271J	AA		C	Resistor(1/10W 270 $\Omega$ $\pm$ 5%)	[R182]
362	VRS-TS2AD103J	AA		C	Resistor(1/10W 10K $\Omega$ $\pm$ 5%)	[R183]
363	VRS-TS2AD472J	AA		C	Resistor(1/10W 4.7K $\Omega$ $\pm$ 5%)	[R184]
364	VRS-TS2AD103J	AA		C	Resistor(1/10W 10K $\Omega$ $\pm$ 5%)	[R185]
365	VRS-TS2AD103J	AA		C	Resistor(1/10W 10K $\Omega$ $\pm$ 5%)	[R186]
366	VRS-TS2AD103J	AA		C	Resistor(1/10W 10K $\Omega$ $\pm$ 5%)	[R188]
367	VRS-TS2AD472J	AA		C	Resistor(1/10W 4.7K $\Omega$ $\pm$ 5%)	[R189]
368	VRS-TS2AD101J	AA		C	Resistor(1/10W 100 $\Omega$ $\pm$ 5%)	[R190]
369	VRS-TS2AD101J	AA		C	Resistor(1/10W 100 $\Omega$ $\pm$ 5%)	[R191]
370	VRS-TS2AD000J	AA		C	Resistor(1/10W 0 $\Omega$ $\pm$ 5%)	[R192]
371	VRS-TS2AD000J	AA		C	Resistor(1/10W 0 $\Omega$ $\pm$ 5%)	[R193]
372	VRS-TS2AD000J	AA		C	Resistor(1/10W 0 $\Omega$ $\pm$ 5%)	[R194]
373	VRS-TS2AD000J	AA		C	Resistor(1/10W 0 $\Omega$ $\pm$ 5%)	[R195]
374	VRS-TS2AD000J	AA		C	Resistor(1/10W 0 $\Omega$ $\pm$ 5%)	[R196]
375	VRS-TS2AD472J	AA		C	Resistor(1/10W 4.7K $\Omega$ $\pm$ 5%)	[R197]
376	VRS-TS2AD472J	AA		C	Resistor(1/10W 4.7K $\Omega$ $\pm$ 5%)	[R198]
377	VRS-TS2AD000J	AA		C	Resistor(1/10W 0 $\Omega$ $\pm$ 5%)	[R199]
378	VRS-TS2AD331J	AA		C	Resistor(1/10W 330 $\Omega$ $\pm$ 5%)	[R200]
379	VRS-TS2AD000J	AA		C	Resistor(1/10W 0 $\Omega$ $\pm$ 5%)	[R201]
380	VRS-TS2AD103J	AA		C	Resistor(1/10W 10K $\Omega$ $\pm$ 5%)	[R202]
381	VRS-TS2AD472J	AA		C	Resistor(1/10W 4.7K $\Omega$ $\pm$ 5%)	[R203]
382	VRS-TS2AD331J	AA		C	Resistor(1/10W 330 $\Omega$ $\pm$ 5%)	[R204]
383	VRS-TS2AD330J	AA		C	Resistor(1/10W 33 $\Omega$ $\pm$ 5%)	[R205]
384	VRS-TS2AD472J	AA		C	Resistor(1/10W 4.7K $\Omega$ $\pm$ 5%)	[R206]
385	VRS-TS2AD472J	AA		C	Resistor(1/10W 4.7K $\Omega$ $\pm$ 5%)	[R207]
386	VRS-TS2AD472J	AA		C	Resistor(1/10W 4.7K $\Omega$ $\pm$ 5%)	[R208]
387	VRS-TS2AD101J	AA		C	Resistor(1/10W 100 $\Omega$ $\pm$ 5%)	[R209]
388	VRS-TS2AD271J	AA		C	Resistor(1/10W 270 $\Omega$ $\pm$ 5%)	[R210]
389	VRS-TS2AD332J	AA		C	Resistor(1/10W 3.3K $\Omega$ $\pm$ 5%)	[R211]
390	VRS-TS2AD332J	AA		C	Resistor(1/10W 3.3K $\Omega$ $\pm$ 5%)	[R212]
391	VRS-TS2AD332J	AA		C	Resistor(1/10W 3.3K $\Omega$ $\pm$ 5%)	[R213]
392	VRS-TS2AD105J	AA		C	Resistor(1/10W 1.0M $\Omega$ $\pm$ 5%)	[R214]
393	VRS-TS2AD561J	AA		C	Resistor(1/10W 560 $\Omega$ $\pm$ 5%)	[R215]
394	VRS-TS2AD271J	AA		C	Resistor(1/10W 270 $\Omega$ $\pm$ 5%)	[R216]
395	VRS-TS2AD271J	AA		C	Resistor(1/10W 270 $\Omega$ $\pm$ 5%)	[R217]
396	VRS-TS2AD151J	AA		C	Resistor(1/10W 150 $\Omega$ $\pm$ 5%)	[R218]
397	VRS-TS2AD151J	AA		C	Resistor(1/10W 150 $\Omega$ $\pm$ 5%)	[R219]
398	VRS-TS2AD151J	AA		C	Resistor(1/10W 150 $\Omega$ $\pm$ 5%)	[R220]
399	VRS-TS2AD103J	AA		C	Resistor(1/10W 10K $\Omega$ $\pm$ 5%)	[R222]

NO.	PARTS CODE	PRICE RANK	NEW MARK	PART RANK	DESCRIPTION	
[17] Control PWB unit						
400	VRS-TS2AD000J	AA		C	Resistor(1/10W 0Ω ±5%)	[R223]
401	VRS-TS2AD271J	AA		C	Resistor(1/10W 270Ω ±5%)	[R224]
402	VRS-TS2AD271J	AA		C	Resistor(1/10W 270Ω ±5%)	[R225]
403	VRS-TS2AD000J	AA		C	Resistor(1/10W 0Ω ±5%)	[R226]
404	VRS-TS2AD000J	AA		C	Resistor(1/10W 0Ω ±5%)	[R227]
405	VRS-TS2AD000J	AA		C	Resistor(1/10W 0Ω ±5%)	[R228]
406	VRS-TS2AD000J	AA		C	Resistor(1/10W 0Ω ±5%)	[R229]
407	VRS-TS2AD000J	AA		C	Resistor(1/10W 0Ω ±5%)	[R230]
408	VRS-TS2AD103J	AA		C	Resistor(1/10W 10KΩ ±5%)	[R233]
409	VRS-TS2AD000J	AA		C	Resistor(1/10W 0Ω ±5%)	[R234]
410	VRS-TS2AD103J	AA		C	Resistor(1/10W 10KΩ ±5%)	[R235]
411	VRS-TS2AD000J	AA		C	Resistor(1/10W 0Ω ±5%)	[R236]
412	VRS-TS2AD000J	AA		C	Resistor(1/10W 0Ω ±5%)	[R237]
413	VRS-TS2AD000J	AA		C	Resistor(1/10W 0Ω ±5%)	[R238]
414	VRS-TS2AD103J	AA		C	Resistor(1/10W 10KΩ ±5%)	[R239]
415	VRS-TS2AD103J	AA		C	Resistor(1/10W 10KΩ ±5%)	[R240]
416	VRS-TS2AD000J	AA		C	Resistor(1/10W 0Ω ±5%)	[R241]
417	VRS-TS2AD000J	AA		C	Resistor(1/10W 0Ω ±5%)	[R242]
418	VRS-TS2AD000J	AA		C	Resistor(1/10W 0Ω ±5%)	[R243]
419	VRS-TS2AD472J	AA		C	Resistor(1/10W 4.7KΩ ±5%)	[R244]
420	VRS-TS2AD000J	AA		C	Resistor(1/10W 0Ω ±5%)	[R245]
421	VRS-TS2AD103J	AA		C	Resistor(1/10W 10KΩ ±5%)	[R246]
422	VRS-TS2AD103J	AA		C	Resistor(1/10W 10KΩ ±5%)	[R247]
423	VRS-TS2AD103J	AA		C	Resistor(1/10W 10KΩ ±5%)	[R248]
424	VRS-TS2AD103J	AA		C	Resistor(1/10W 10KΩ ±5%)	[R249]
425	VRS-TS2AD472J	AA		C	Resistor(1/10W 4.7KΩ ±5%)	[R250]
426	VRS-TS2AD203J	AA		C	Resistor(1/10W 20KΩ ±5%)	[R251]
427	VRS-TS2AD101J	AA		C	Resistor(1/10W 100Ω ±5%)	[R254]
428	VRS-TS2AD101J	AA		C	Resistor(1/10W 100Ω ±5%)	[R255]
429	VRS-TS2AD472J	AA		C	Resistor(1/10W 4.7KΩ ±5%)	[R256]
430	VRS-TS2AD472J	AA		C	Resistor(1/10W 4.7KΩ ±5%)	[R257]
431	VRS-TS2AD472J	AA		C	Resistor(1/10W 4.7KΩ ±5%)	[R258]
432	VRS-TS2AD000J	AA		C	Resistor(1/10W 0Ω ±5%)	[R260]
433	VRS-TS2AD000J	AA		C	Resistor(1/10W 0Ω ±5%)	[R262]
434	VRS-TS2AD000J	AA		C	Resistor(1/10W 0Ω ±5%)	[R263]
435	VRS-TS2AD222J	AA		C	Resistor(1/10W 2.2KΩ ±5%)	[R264]
436	VRS-TS2AD000J	AA		C	Resistor(1/10W 0Ω ±5%)	[R266]
437	VRS-TS2AD000J	AA		C	Resistor(1/10W 0Ω ±5%)	[R267]
438	VRS-TS2AD103J	AA		C	Resistor(1/10W 10KΩ ±5%)	[R268]
439	VRS-TS2AD103J	AA		C	Resistor(1/10W 10KΩ ±5%)	[R269]
440	VRS-TS2AD183J	AA		C	Resistor(1/10W 18KΩ ±5%)	[R290]
441	VRS-TS2AD000J	AA		C	Resistor(1/10W 0Ω ±5%)	[R291]
442	VRS-TS2AD183J	AA		C	Resistor(1/10W 18KΩ ±5%)	[R292]
443	VRS-TS2AD103J	AA		C	Resistor(1/10W 10KΩ ±5%)	[R293]
444	VRS-TS2AD103J	AA		C	Resistor(1/10W 10KΩ ±5%)	[R294]
445	VRS-TS2AD203J	AA		C	Resistor(1/10W 20KΩ ±5%)	[R295]
446	VRS-TS2AD203J	AA		C	Resistor(1/10W 20KΩ ±5%)	[R296]
447	VRS-TS2AD102J	AA		C	Resistor(1/10W 1KΩ ±5%)	[R297]
448	VRS-TS2AD103J	AA		C	Resistor(1/10W 10KΩ ±5%)	[R299]
449	VRS-TS2AD000J	AA		C	Resistor(1/10W 0Ω ±5%)	[R300]
450	VRS-TS2AD472J	AA		C	Resistor(1/10W 4.7KΩ ±5%)	[R301]
451	VRS-TS2AD000J	AA		C	Resistor(1/10W 0Ω ±5%)	[R302]
452	VRS-TS2AD472J	AA		C	Resistor(1/10W 4.7KΩ ±5%)	[R305]
453	VRS-TS2AD561J	AA		C	Resistor(1/10W 560Ω ±5%)	[R307]
454	VRS-TS2AD472J	AA		C	Resistor(1/10W 4.7KΩ ±5%)	[R310]
455	VRS-TS2AD472J	AA		C	Resistor(1/10W 4.7KΩ ±5%)	[R314]
456	VRS-TS2AD472J	AA		C	Resistor(1/10W 4.7KΩ ±5%)	[R315]
457	VRS-TS2AD472J	AA		C	Resistor(1/10W 4.7KΩ ±5%)	[R316]
458	VRS-TS2AD000J	AA		C	Resistor(1/10W 0Ω ±5%)	[R317]
459	VRS-TS2AD100J	AA		C	Resistor(1/10W 10Ω ±5%)	[R318]
460	VRS-TS2AD100J	AA		C	Resistor(1/10W 10Ω ±5%)	[R319]
461	VRS-TS2AD103J	AA		C	Resistor(1/10W 10KΩ ±5%)	[R320]
462	VRS-TS2AD103J	AA		C	Resistor(1/10W 10KΩ ±5%)	[R321]
463	VRS-TS2AD103J	AA		C	Resistor(1/10W 10KΩ ±5%)	[R324]
464	VRS-TS2AD472J	AA		C	Resistor(1/10W 4.7KΩ ±5%)	[R325]
465	VRS-TS2AD103J	AA		C	Resistor(1/10W 10KΩ ±5%)	[R328]
466	VRS-TS2AD562J	AA		C	Resistor(1/10W 5.6KΩ ±5%)	[R329]
467	VRS-TS2AD154J	AA		C	Resistor(1/10W 150KΩ ±5%)	[R360]
468	VRS-TS2AD302J	AA		C	Resistor(1/10W 3KΩ ±5%)	[R363]
469	VRS-TS2AD103J	AA		C	Resistor(1/10W 10KΩ ±5%)	[R364]
470	VRS-TS2AD104J	AA		C	Resistor(1/10W 100KΩ ±5%)	[R365]
471	VRS-TS2AD103J	AA		C	Resistor(1/10W 10KΩ ±5%)	[R367]
472	VRS-TS2AD471J	AA		C	Resistor(1/10W 470Ω ±5%)	[R368]
473	VRS-TS2AD102J	AA		C	Resistor(1/10W 1KΩ ±5%)	[R369]
474	VRS-TS2AD102J	AA		C	Resistor(1/10W 1KΩ ±5%)	[R370]
475	VRS-TS2AD333J	AA		C	Resistor(1/10W 33KΩ ±5%)	[R371]
476	VRS-TS2AD101J	AA		C	Resistor(1/10W 100Ω ±5%)	[R373]
477	VRS-TP2BD000J	AA		C	Resistor(1/8W 0Ω ±5%)	[R374]
478	VRS-TS2AD472J	AA		C	Resistor(1/10W 4.7KΩ ±5%)	[R375]
479	VRS-TS2AD472J	AA		C	Resistor(1/10W 4.7KΩ ±5%)	[R376]

NO.	PARTS CODE	PRICE RANK	NEW MARK	PART RANK	DESCRIPTION	
[17] Control PWB unit						
480	VRS-TS2AD102J	AA		C	Resistor(1/10W 1K $\Omega$ $\pm$ 5%)	[R377]
481	VRS-TS2AD000J	AA		C	Resistor(1/10W 0 $\Omega$ $\pm$ 5%)	[R378]
482	VRS-TS2AD000J	AA		C	Resistor(1/10W 0 $\Omega$ $\pm$ 5%)	[R379]
483	VRS-TS2AD103J	AA		C	Resistor(1/10W 10K $\Omega$ $\pm$ 5%)	[R380]
484	VRS-TS2AD103J	AA		C	Resistor(1/10W 10K $\Omega$ $\pm$ 5%)	[R381]
485	VRS-TS2AD103J	AA		C	Resistor(1/10W 10K $\Omega$ $\pm$ 5%)	[R382]
486	VRS-TS2AD472J	AA		C	Resistor(1/10W 4.7K $\Omega$ $\pm$ 5%)	[R383]
487	VRS-TS2AD472J	AA		C	Resistor(1/10W 4.7K $\Omega$ $\pm$ 5%)	[R384]
488	VRS-TS2AD472J	AA		C	Resistor(1/10W 4.7K $\Omega$ $\pm$ 5%)	[R385]
489	VRS-TS2AD000J	AA		C	Resistor(1/10W 0 $\Omega$ $\pm$ 5%)	[R400]
490	VRS-TS2AD100J	AA		C	Resistor(1/10W 10 $\Omega$ $\pm$ 5%)	[R402]
491	VRS-TS2AD101J	AA		C	Resistor(1/10W 100 $\Omega$ $\pm$ 5%)	[R404]
492	VRS-TS2AD103J	AA		C	Resistor(1/10W 10K $\Omega$ $\pm$ 5%)	[R406]
493	VRS-TS2AD103J	AA		C	Resistor(1/10W 10K $\Omega$ $\pm$ 5%)	[R407]
494	VRS-TS2AD103J	AA		C	Resistor(1/10W 10K $\Omega$ $\pm$ 5%)	[R408]
495	VRS-TS2AD103J	AA		C	Resistor(1/10W 10K $\Omega$ $\pm$ 5%)	[R409]
496	VRS-TS2AD271J	AA		C	Resistor(1/10W 270 $\Omega$ $\pm$ 5%)	[R410]
497	VRS-TS2AD471J	AA		C	Resistor(1/10W 470 $\Omega$ $\pm$ 5%)	[R411]
498	VRS-TS2AD471J	AA		C	Resistor(1/10W 470 $\Omega$ $\pm$ 5%)	[R412]
499	VRS-TS2AD271J	AA		C	Resistor(1/10W 270 $\Omega$ $\pm$ 5%)	[R413]
500	VRS-TS2AD000J	AA		C	Resistor(1/10W 0 $\Omega$ $\pm$ 5%)	[R415]
501	VRS-TS2AD472J	AA		C	Resistor(1/10W 4.7K $\Omega$ $\pm$ 5%)	[R416]
502	VRS-TS2AD103J	AA		C	Resistor(1/10W 10K $\Omega$ $\pm$ 5%)	[R419]
503	VRS-TS2AD000J	AA		C	Resistor(1/10W 0 $\Omega$ $\pm$ 5%)	[R422]
504	VRS-TS2AD000J	AA		C	Resistor(1/10W 0 $\Omega$ $\pm$ 5%)	[R423]
505	VRS-TS2AD330J	AA		C	Resistor(1/10W 33 $\Omega$ $\pm$ 5%)	[R424]
506	VRS-TS2AD000J	AA		C	Resistor(1/10W 0 $\Omega$ $\pm$ 5%)	[R425]
507	VRS-TS2AD151J	AA		C	Resistor(1/10W 150 $\Omega$ $\pm$ 5%)	[R426]
508	VRS-TS2AD000J	AA		C	Resistor(1/10W 0 $\Omega$ $\pm$ 5%)	[R427]
509	VRS-TS2AD000J	AA		C	Resistor(1/10W 0 $\Omega$ $\pm$ 5%)	[R428]
510	VRS-TS2AD000J	AA		C	Resistor(1/10W 0 $\Omega$ $\pm$ 5%)	[R429]
511	VRS-TS2AD100J	AA		C	Resistor(1/10W 10 $\Omega$ $\pm$ 5%)	[R501]
512	VRS-TS2AD100J	AA		C	Resistor(1/10W 10 $\Omega$ $\pm$ 5%)	[R502]
513	VRS-TS2AD100J	AA		C	Resistor(1/10W 10 $\Omega$ $\pm$ 5%)	[R503]
514	VRS-TS2AD100J	AA		C	Resistor(1/10W 10 $\Omega$ $\pm$ 5%)	[R504]
515	VRS-TS2AD100J	AA		C	Resistor(1/10W 10 $\Omega$ $\pm$ 5%)	[R505]
516	VRS-TS2AD100J	AA		C	Resistor(1/10W 10 $\Omega$ $\pm$ 5%)	[R506]
517	VRS-TS2AD100J	AA		C	Resistor(1/10W 10 $\Omega$ $\pm$ 5%)	[R507]
518	VRS-TS2AD100J	AA		C	Resistor(1/10W 10 $\Omega$ $\pm$ 5%)	[R508]
519	VRS-TS2AD100J	AA		C	Resistor(1/10W 10 $\Omega$ $\pm$ 5%)	[R509]
520	VRS-TS2AD100J	AA		C	Resistor(1/10W 10 $\Omega$ $\pm$ 5%)	[R510]
521	VRS-TS2AD100J	AA		C	Resistor(1/10W 10 $\Omega$ $\pm$ 5%)	[R511]
522	VRS-TS2AD100J	AA		C	Resistor(1/10W 10 $\Omega$ $\pm$ 5%)	[R512]
523	VRS-TS2AD100J	AA		C	Resistor(1/10W 10 $\Omega$ $\pm$ 5%)	[R513]
524	VRS-TS2AD100J	AA		C	Resistor(1/10W 10 $\Omega$ $\pm$ 5%)	[R514]
525	VRS-TS2AD100J	AA		C	Resistor(1/10W 10 $\Omega$ $\pm$ 5%)	[R515]
526	VRS-TS2AD100J	AA		C	Resistor(1/10W 10 $\Omega$ $\pm$ 5%)	[R516]
527	VRS-TS2AD100J	AA		C	Resistor(1/10W 10 $\Omega$ $\pm$ 5%)	[R517]
528	VRS-TS2AD101J	AA		C	Resistor(1/10W 100 $\Omega$ $\pm$ 5%)	[R519]
529	VRS-TS2AD103J	AA		C	Resistor(1/10W 10K $\Omega$ $\pm$ 5%)	[R520]
530	VRS-TS2AD103J	AA		C	Resistor(1/10W 10K $\Omega$ $\pm$ 5%)	[R521]
531	VRS-TS2AD103J	AA		C	Resistor(1/10W 10K $\Omega$ $\pm$ 5%)	[R522]
532	VRS-TS2AD103J	AA		C	Resistor(1/10W 10K $\Omega$ $\pm$ 5%)	[R523]
533	VRS-TS2AD103J	AA		C	Resistor(1/10W 10K $\Omega$ $\pm$ 5%)	[R524]
534	VRSTS2AD4422F	AA		C	Resistor(1/10W 44.2K $\Omega$ $\pm$ 1%)	[R525]
535	VRSTS2AD4422F	AA		C	Resistor(1/10W 44.2K $\Omega$ $\pm$ 1%)	[R526]
536	VRSTS2AD4422F	AA		C	Resistor(1/10W 44.2K $\Omega$ $\pm$ 1%)	[R527]
537	VRSTS2AD4422F	AA		C	Resistor(1/10W 44.2K $\Omega$ $\pm$ 1%)	[R528]
538	VRSTS2AD6812F	AA		C	Resistor(1/10W 68.1K $\Omega$ $\pm$ 1%)	[R529]
539	VRSTS2AD1373F	AA		C	Resistor(1/10W 137K $\Omega$ $\pm$ 1%)	[R530]
540	VRS-TS2AD000J	AA		C	Resistor(1/10W 0 $\Omega$ $\pm$ 5%)	[R531]
541	VRS-TS2AD333J	AA		C	Resistor(1/10W 33K $\Omega$ $\pm$ 5%)	[R532]
542	VRS-TS2AD333J	AA		C	Resistor(1/10W 33K $\Omega$ $\pm$ 5%)	[R533]
543	VRS-TS2AD000J	AA		C	Resistor(1/10W 0 $\Omega$ $\pm$ 5%)	[R534]
544	VRS-TP2BD200J	AA		C	Resistor(1/8W 20 $\Omega$ $\pm$ 5%)	[R535]
545	VRS-TS2AD000J	AA		C	Resistor(1/10W 0 $\Omega$ $\pm$ 5%)	[R536]
546	VRS-TS2AD000J	AA		C	Resistor(1/10W 0 $\Omega$ $\pm$ 5%)	[R537]
547	VRS-TS2AD103J	AA		C	Resistor(1/10W 10K $\Omega$ $\pm$ 5%)	[R538]
548	VRS-TS2AD822J	AA		C	Resistor(1/10W 8.2K $\Omega$ $\pm$ 5%)	[R539]
549	VRS-TS2AD223J	AA		C	Resistor(1/10W 22K $\Omega$ $\pm$ 5%)	[R540]
550	VRS-TS2AD273J	AA		C	Resistor(1/10W 27K $\Omega$ $\pm$ 5%)	[R541]
551	VRS-TS2AD513J	AA		C	Resistor(1/10W 51K $\Omega$ $\pm$ 5%)	[R542]
552	VRS-TS2AD332J	AA		C	Resistor(1/10W 3.3K $\Omega$ $\pm$ 5%)	[R543]
553	VRS-TS2AD153J	AA		C	Resistor(1/10W 15K $\Omega$ $\pm$ 5%)	[R544]
554	VRS-TS2AD223J	AA		C	Resistor(1/10W 22K $\Omega$ $\pm$ 5%)	[R545]
555	VRS-TS2AD273J	AA		C	Resistor(1/10W 27K $\Omega$ $\pm$ 5%)	[R546]
556	VRS-TS2AD113J	AA		C	Resistor(1/10W 11K $\Omega$ $\pm$ 5%)	[R547]
557	VRS-TS2AD223J	AA		C	Resistor(1/10W 22K $\Omega$ $\pm$ 5%)	[R548]
558	VRS-TS2AD332J	AA		C	Resistor(1/10W 3.3K $\Omega$ $\pm$ 5%)	[R549]
559	VRS-TS2AD332J	AA		C	Resistor(1/10W 3.3K $\Omega$ $\pm$ 5%)	[R550]



NO.	PARTS CODE	PRICE RANK	NEW MARK	PART RANK	DESCRIPTION	
[17] Control PWB unit						
560	VRS-TS2AD332J	AA		C	Resistor(1/10W 3.3KΩ ±5%)	[R551]
561	VRS-TS2AD101J	AA		C	Resistor(1/10W 100Ω ±5%)	[R552]
562	VRS-TS2AD101J	AA		C	Resistor(1/10W 100Ω ±5%)	[R553]
563	VRS-TS2AD000J	AA		C	Resistor(1/10W 0Ω ±5%)	[R554]
564	VRS-TS2AD000J	AA		C	Resistor(1/10W 0Ω ±5%)	[R555]
565	RR-TZ3016SCZZ	AA		C	Resistor(33Ωx4)	[RA1]
566	RR-TZ3016SCZZ	AA		C	Resistor(33Ωx4)	[RA2]
567	RR-TZ3016SCZZ	AA		C	Resistor(33Ωx4)	[RA3]
568	RR-TZ3016SCZZ	AA		C	Resistor(33Ωx4)	[RA4]
569	RR-TZ3018SCZZ	AC		C	Block resistor(470Ωx4)	[RA14]
570	RR-TZ3018SCZZ	AC		C	Block resistor(470Ωx4)	[RA15]
571	RCRSQ2162XHZZ	AH	N	B	Crystal(29.44MHz)	[X1]
572	RCRSZ2158XHZZ	AF		B	Crystal(16.00MHz)	[X2]
573	RCRSZ2151XHZZ	AF		B	Crystal(20.31092MHz)	[X3]
574	RCRSQ2163XHZZ	AN	N	B	Crystal(56.448MHz)	[X4]
575	RCRSZ2152XHZZ	AF		B	Crystal(19.6608MHz)	[X5]
576	RCRSP0074AFZZ	AE		B	Crystal(32.768kHz)	[X6]
	(Unit)					
901	DCEKC282NXHZZ	BZ	N	E	Control PWB unit(Within ROM)	[U]
	DCEKC688NXHZZ		N	E	Control PWB unit(Within ROM)	[C]
[18] LIU PWB unit						
1	VHVRA391PV6-1	AE		B	Varistor(RA391PV6)	[AR1]
2	QTANZ2042SCZZ	AB		C	Terminal	[ARG]
3	RC-FZ3024SCZZ	AG		C	Capacitor(250WV 0.82μF)	[C1]
4	VCKYPU1HB103K	AA		C	Capacitor(50WV 0.010μF)	[C2]
5	VCKYPU1HF223Z	AA		C	Capacitor(50WV 0.022μF)	[C3]
6	VCEAGA1HW225M	AA		C	Capacitor(50WV 2.2μF)	[C5]
7	VEEAGA1HW225M	AB	N	C	Capacitor(50WV 2.2μF)	[C6]
8	VCKYPU1HB102K	AA		C	Capacitor(50WV 1000PF)	[C7]
9	VCQYNA1HM333K	AA		C	Capacitor(50WV 0.033μF)	[C8]
10	VCKYPU1HB102K	AA		C	Capacitor(50WV 1000PF)	[C9]
11	VCEAGA1HW475M	AA		C	Capacitor(50WV 4.7μF)	[C10]
12	VCEAGA1HW475M	AA		C	Capacitor(50WV 4.7μF)	[C11]
13	VCEAGA1HW475M	AA		C	Capacitor(50WV 4.7μF)	[C12]
14	VCKYPU1HB471K	AA		C	Capacitor(50WV 470PF)	[C15]
15	VCQYNA1HM333K	AA		C	Capacitor(50WV 0.033μF)	[C16]
16	VCEAGA1HW107M	AA		C	Capacitor(50WV 100μF)	[C18]
17	VCKYPU1HF223Z	AA		C	Capacitor(50WV 0.022μF)	[C19]
18	RRLYD3433XHZZ	AH		B	Relay	[CML]
19	QCNCW2500SC01	AF		C	Connector(9pin)	[CNLIU]
20	VHDDSS133/-1	AA		B	Diode(1SS133)	[D1]
21	VHDDSS133/-1	AA		B	Diode(1SS133)	[D2]
22	VHINJM2904D-1	AG		B	IC,OP AMP.(NJM2904D)	[IC1]
23	VRD-HT2EY100J	AA		C	Resistor(1/4W 10W ±5%)	[J3]
24	QJAKZ2046SCBB	AH		C	Jack(2pin)	[MJ1-2]
25	VHPTLP521-1BL	AE		B	Photo coupler(TLP521)	[PC1]
26	VHPTLP627/-1	AH		B	Photo coupler(TLP627)	[PC2]
27	VHPPC814X/-1	AE		B	Photo transistor(PC814X)	[PC3]
28	VS2SD592A-S-1	AK		B	Transistor(2SD592A-S)	[Q1]
29	VS2SD1200FR-1	AE		B	Transistor(2SD1200FR)	[Q2]
30	VS2SA1807-P-1	AE		B	Transistor(2SA1807)	[Q3]
31	VSDTC114ES/-1	AB		B	Transistor(DTC114ES)	[Q4]
32	VSDTC114ES/-1	AB		B	Transistor(DTC114ES)	[Q5]
33	VRD-HT2EY224J	AA		C	Resistor(1/4W 220KΩ ±5%)	[R2]
34	VRD-HT2EY104J	AA		C	Resistor(1/4W 100KΩ ±5%)	[R3]
35	RR-HZ3011SCZZ	AC		C	Resistor(1/2W 4.7Ω ±5%)	[R4]
36	VRS-HT3AA133J	AB		C	Resistor(1W 13KΩ ±5%)	[R5]
37	VRD-HT2HY223J	AA		C	Resistor(1/2W 22KΩ ±5%)	[R6]
38	VRD-HT2EY124J	AA		C	Resistor(1/4W 120KΩ ±5%)	[R7]
39	VRD-HT2EY472J	AA		C	Resistor(1/4W 4.7KΩ ±5%)	[R8]
40	VRD-HT2EY183J	AA		C	Resistor(1/4W 18KΩ ±5%)	[R9]
41	VRD-HT2EY100J	AA		C	Resistor(1/4W 10Ω ±5%)	[R10]
42	VRD-HT2EY303J	AA		C	Resistor(1/4W 30KΩ ±5%)	[R11]
43	VRD-HT2EY910J	AA		C	Resistor(1/4W 91Ω ±5%)	[R12]
44	VRD-HT2EY300J	AA		C	Resistor(1/4W 30Ω ±5%)	[R13]
45	VRD-HT2EY201J	AA		C	Resistor(1/4W 200Ω ±5%)	[R14]
46	VRD-HT2EY621J	AA		C	Resistor(1/4W 620Ω ±5%)	[R15]
47	VRD-HT2EY621J	AA		C	Resistor(1/4W 620Ω ±5%)	[R16]
48	VRD-HT2EY223J	AA		C	Resistor(1/4W 22KΩ ±5%)	[R17]
49	VRD-HT2EY223J	AA		C	Resistor(1/4W 22KΩ ±5%)	[R18]
50	VRD-HT2EY751J	AA		C	Resistor(1/4W 750Ω ±5%)	[R19]
51	VRD-HT2EY223J	AA		C	Resistor(1/4W 22KΩ ±5%)	[R20]
52	VRD-HT2EY332J	AA		C	Resistor(1/4W 3.3KΩ ±5%)	[R21]
53	VRD-HT2EY223J	AA		C	Resistor(1/4W 22KΩ ±5%)	[R22]
54	VRD-HT2EY103J	AA		C	Resistor(1/4W 10KΩ ±5%)	[R24]

NO.	PARTS CODE	PRICE RANK	NEW MARK	PART RANK	DESCRIPTION
<b>[18] LIU PWB unit</b>					
55	VRD-HT2EY103J	AA		C	Resistor(1/4W 10KΩ ±5%) [R26]
56	VHD0R5G4B42-1S	AF		B	Bridge diode(0R5G4B42) [REC]
57	RTRNZ2163SCZZ	AH		B	Transformer [T1]
58	VHVERZV5D471/	AC		B	Varistor(ERZVA5D471) [VA1]
59	VHVERZV5D471/	AC		B	Varistor(ERZVA5D471) [VA2]
60	VHVTN07G101-1	AB		B	Varistor(TNR7G101KT2) [VA3]
61	VHEHZ2C1///-1	AA		B	Zener diode(HZ2C1-TA) [ZD1]
62	VHEHZ2C1///-1	AA		B	Zener diode(HZ2C1-TA) [ZD2]
63	VHEHZ27-1//1	AB		B	Zener diode(HZ27C-1TA) [ZD3]
64	VHE1ZC15//1	AC		B	Zener diode(1ZC15) [ZD4]
65	VHEMTZJ8R2B-1	AC		B	Zener diode(MTZJ8R2B) [ZD5]
66	VHEHZ2C1///-1	AA		B	Zener diode(HZ2C1-TA) [ZD6]
67	VHEHZ2C1///-1	AA		B	Zener diode(HZ2C1-TA) [ZD7]
	(Unit)				
901	DCEKL471BXH01	AZ		E	LIU PWB unit
<b>[19] Printer PWB unit</b>					
1	VCEAGA1VW476M	AB		C	Capacitor(35WV 47μF) [C1]
2	VCEAGA1CW227M	AB		C	Capacitor(16WV 220μF) [C2]
3	VCKYTV1HF103Z	AA		C	Capacitor(50WV 0.01μF) [C100]
4	VCKYTV1EF103Z	AA		C	Capacitor(25WV 0.01μF) [C101]
5	VCKYTV1EB821K	AC		C	Capacitor(25WV 820PF) [C102]
6	VCKYTV1EF103Z	AA		C	Capacitor(25WV 0.01μF) [C103]
7	VCKYTV1EB102K	AD		C	Capacitor(25WV 1000PF) [C104]
8	VCKYTV1EF103Z	AA		C	Capacitor(25WV 0.01μF) [C105]
9	VCKYTV1HF103Z	AA		C	Capacitor(50WV 0.01μF) [C106]
10	VCKYTV1EF103Z	AA		C	Capacitor(25WV 0.01μF) [C107]
11	VCKYTV1EF103Z	AA		C	Capacitor(25WV 0.01μF) [C108]
12	VCKYTV1EF103Z	AA		C	Capacitor(25WV 0.01μF) [C109]
13	VCKYTV1EF103Z	AA		C	Capacitor(25WV 0.01μF) [C110]
14	VCKYTV1EF103Z	AA		C	Capacitor(25WV 0.01μF) [C111]
15	VCKYTV1EF103Z	AA		C	Capacitor(25WV 0.01μF) [C112]
16	VCKYTV1EF103Z	AA		C	Capacitor(25WV 0.01μF) [C113]
17	VCKYTV1EF103Z	AA		C	Capacitor(25WV 0.01μF) [C114]
18	VCKYTV1EB821K	AC		C	Capacitor(25WV 820PF) [C115]
19	VCKYTV1EF103Z	AA		C	Capacitor(25WV 0.01μF) [C116]
20	VCKYTV1EF104Z	AA		C	Capacitor(25WV 0.1μF) [C119]
21	VCKYTV1EF103Z	AA		C	Capacitor(25WV 0.01μF) [C120]
22	VCKYTV1EF103Z	AA		C	Capacitor(25WV 0.01μF) [C121]
23	VCKYTV1EF103Z	AA		C	Capacitor(25WV 0.01μF) [C122]
24	VCKYTV1EB102K	AD		C	Capacitor(25WV 1000PF) [C123]
25	VCKYTV1EB102K	AD		C	Capacitor(25WV 1000PF) [C125]
26	VCKYTV1EF103Z	AA		C	Capacitor(25WV 0.01μF) [C126]
27	VCKYTV1EB102K	AD		C	Capacitor(25WV 1000PF) [C127]
28	VCKYTV1CF105Z	AB		C	Capacitor(16WV 1μF) [C129]
29	VCCCTV1HH180J	AA		C	Capacitor(50WV 18PF) [C130]
30	VCCCTV1HH180J	AA		C	Capacitor(50WV 18PF) [C131]
31	VCKYTV1HF104Z	AA		C	Capacitor(50WV 0.1μF) [C132]
32	VCKYTV1EB821K	AC		C	Capacitor(25WV 820PF) [C133]
33	VCKYTV1EF103Z	AA		C	Capacitor(25WV 0.01μF) [C134]
34	VCKYTV1EB102K	AD		C	Capacitor(25WV 1000PF) [C137]
35	VCKYTV1EB102K	AD		C	Capacitor(25WV 1000PF) [C138]
36	VCKYTV1EB102K	AD		C	Capacitor(25WV 1000PF) [C139]
37	VCKYTV1EB102K	AD		C	Capacitor(25WV 1000PF) [C140]
38	VCKYTV1EB821K	AC		C	Capacitor(25WV 820PF) [C141]
39	VCKYTV1HF104Z	AA		C	Capacitor(50WV 0.1μF) [C142]
40	VCKYTV1EF333Z	AB		C	Capacitor(25WV 0.033μF) [C143]
41	VCKYTV1EF104Z	AA		C	Capacitor(25WV 0.1μF) [C144]
42	VCKYTV1EB102K	AD		C	Capacitor(25WV 1000PF) [C145]
43	RC-FZ3039XHZZ	AB		C	Capacitor(16WV 0.1μF) [C147]
44	VCKYTV1EF104Z	AA		C	Capacitor(25WV 0.1μF) [C148]
45	VCKYTV1EB102K	AD		C	Capacitor(25WV 1000PF) [C149]
46	VCKYTV1EB102K	AD		C	Capacitor(25WV 1000PF) [C150]
47	VCKYTV1EF103Z	AA		C	Capacitor(25WV 0.01μF) [C151]
48	QCNCW2527SC3J	AM		C	Connector(30pin) [CN1]
49	QCNCM2484SC0B	AB		C	Connector(2pin) [CN2]
50	QCNCM2584SC0B	AC		C	Connector(2pin) [CN3]
51	QCNCM2584SC1A	AG		C	Connector(11pin) [CN4]
52	QCNCM2584SC0G	AE		C	Connector(7pin) [CN5]
53	QCNCM2584SC0D	AD		C	Connector(4pin) [CN6]
54	QCNCM2484SC0H	AD		C	Connector(8pin) [CN7]
55	QCNCM2584SC0C	AC		C	Connector(3pin) [CN8]
56	QCNCM2584SC0E	AD		C	Connector(5pin) [CN9]
57	QCNCM2498SC0B	AB		C	Connector(2pin) [CN10]
58	QCNCM2584SC1C	AG		C	Connector(13pin) [CN11]
59	QCNCM2498SC0D	AD		C	Connector(4pin) [CN13]
60	QCNCM2401SC0D	AC		C	Connector(4pin) [CN14]
61	QCNCM2585SC0D	AD		C	Connector(4pin) [CN15]

NO.	PARTS CODE	PRICE RANK	NEW MARK	PART RANK	DESCRIPTION	
<b>[19] Printer PWB unit</b>						
62	VHD1SS226/-1	AB		B	Diode(1SS226)	[D100]
63	VHD1SS355/-1	AB		B	Diode(1SS355)	[D101]
64	VHVICPS18/-1	AE		B	Varistor	[F100]
65	LPLTM3029XHZZ	AF		C	Heat sink	[H1]
66	VHTEA3718SDP	BA		B	IC,MOTOR DRIVER(TEA3718SDP)	[IC1]
67	RH-IX2162XHZZ	AZ	N	B	IC,CPU(M38073E4FP)	[IC2]
68	VHIULN2003ADR	AF		B	IC,TRANSISTOR ARRAY(ULN2003A)	[IC3]
69	VHTEA3718SDP	BA		B	IC,MOTOR DRIVER(TEA3718SDP)	[IC4]
70	VHI74VHC02F-1	AF		B	IC,HCMOS(74HC02)	[IC5]
71	VSDTD123YK-1	AC		B	Transistor(DTD123YK)	[Q100]
72	VSDTB114EK/-1	AD		B	Transistor(DTB114EK)	[Q101]
73	VSDTC114YU/-1	AC		B	Transistor(DTC114YUA)	[Q102]
74	VSDTC114YU/-1	AC		B	Transistor(DTC114YUA)	[Q103]
75	VSDTC114YU/-1	AC		B	Transistor(DTC114YUA)	[Q104]
76	VRS-TS2AD472J	AA		C	Resistor(1/10W 4.7KΩ ±5%)	[R1]
77	VRS-TS2AD000J	AA		C	Resistor(1/10W 0Ω ±5%)	[R2]
78	VRS-TW2HF1R3J	AC		C	Resistor(1/2W 1.3Ω ±5%)	[R100]
79	VRS-TW2HFR68J	AC		C	Resistor(1/2W 0.68Ω ±5%)	[R101]
80	VRS-TS2AD472J	AA		C	Resistor(1/10W 4.7KΩ ±5%)	[R102]
81	VRS-TS2AD563J	AA		C	Resistor(1/10W 56KΩ ±5%)	[R103]
82	VRS-TS2AD472J	AA		C	Resistor(1/10W 4.7KΩ ±5%)	[R105]
83	VRS-TS2AD103J	AA		C	Resistor(1/10W 10KΩ ±5%)	[R106]
84	VRS-TS2AD472J	AA		C	Resistor(1/10W 4.7KΩ ±5%)	[R107]
85	VRS-TS2AD472J	AA		C	Resistor(1/10W 4.7KΩ ±5%)	[R108]
86	VRS-TW2EE221J	AB		C	Resistor(1/4W 220Ω ±5%)	[R109]
87	VRS-TS2AD473J	AA		C	Resistor(1/10W 47KΩ ±5%)	[R110]
88	VRS-TS2AD102J	AA		C	Resistor(1/10W 1KΩ ±5%)	[R111]
89	VRS-TS2AD103J	AA		C	Resistor(1/10W 10KΩ ±5%)	[R113]
90	VRS-TS2AD103J	AA		C	Resistor(1/10W 10KΩ ±5%)	[R114]
91	VRS-TS2AD393J	AA		C	Resistor(1/10W 39KΩ ±5%)	[R115]
92	VRS-TS2AD682J	AA		C	Resistor(1/10W 6.8KΩ ±5%)	[R116]
93	VRS-TS2AD472J	AA		C	Resistor(1/10W 4.7KΩ ±5%)	[R117]
94	VRS-TS2AD103J	AA		C	Resistor(1/10W 10KΩ ±5%)	[R118]
95	VRS-TS2AD472J	AA		C	Resistor(1/10W 4.7KΩ ±5%)	[R119]
96	VRS-TS2AD103J	AA		C	Resistor(1/10W 10KΩ ±5%)	[R120]
97	VRS-TW2EE100J	AB		C	Resistor(1/4W 10Ω ±5%)	[R121]
98	VRS-TS2AD103J	AA		C	Resistor(1/10W 10KΩ ±5%)	[R122]
99	VRS-TS2AD103J	AA		C	Resistor(1/10W 10KΩ ±5%)	[R123]
100	VRS-TS2AD302J	AA		C	Resistor(1/10W 3KΩ ±5%)	[R124]
101	VRS-TS2AD000J	AA		C	Resistor(1/10W 0Ω ±5%)	[R125]
102	VRS-TW2HF1R3J	AC		C	Resistor(1/2W 1.3Ω ±5%)	[R126]
103	VRS-TS2AD102J	AA		C	Resistor(1/10W 1KΩ ±5%)	[R127]
104	VRS-TW2HFR68J	AC		C	Resistor(1/2W 0.68Ω ±5%)	[R128]
105	VRS-TS2AD563J	AA		C	Resistor(1/10W 56KΩ ±5%)	[R129]
106	VRS-TS2AD103J	AA		C	Resistor(1/10W 10KΩ ±5%)	[R130]
107	VRS-TS2AD222J	AA		C	Resistor(1/10W 2.2KΩ ±5%)	[R131]
108	VRS-TS2AD103J	AA		C	Resistor(1/10W 10KΩ ±5%)	[R134]
109	VRS-TS2AD103J	AA		C	Resistor(1/10W 10KΩ ±5%)	[R135]
110	VRS-TS2AD103J	AA		C	Resistor(1/10W 10KΩ ±5%)	[R136]
111	VRS-TS2AD103J	AA		C	Resistor(1/10W 10KΩ ±5%)	[R137]
112	VRS-TS2AD103J	AA		C	Resistor(1/10W 10KΩ ±5%)	[R138]
113	VRS-TS2AD103J	AA		C	Resistor(1/10W 10KΩ ±5%)	[R139]
114	VRS-TS2AD820J	AA		C	Resistor(1/10W 82Ω ±5%)	[R140]
115	VRS-TS2AD272J	AA		C	Resistor(1/10W 2.7KΩ ±5%)	[R141]
116	VRS-TS2AD222F	AA		C	Resistor(1/10W 2.2KΩ ±1%)	[R142]
117	VRS-TS2AD472J	AA		C	Resistor(1/10W 4.7KΩ ±5%)	[R143]
118	VRS-TS2AD103J	AA		C	Resistor(1/10W 10KΩ ±5%)	[R144]
119	VRS-TS2AD222J	AA		C	Resistor(1/10W 2.2KΩ ±5%)	[R145]
120	VRS-TS2AD103J	AA		C	Resistor(1/10W 10KΩ ±5%)	[R146]
121	VRS-TS2AD103J	AA		C	Resistor(1/10W 10KΩ ±5%)	[R147]
122	VRS-TS2AD680J	AA		C	Resistor(1/10W 68Ω ±5%)	[R148]
123	VRS-TS2AD103J	AA		C	Resistor(1/10W 10KΩ ±5%)	[R151]
124	VRS-TS2AD103J	AA		C	Resistor(1/10W 10KΩ ±5%)	[R152]
125	VRS-TS2AD103J	AA		C	Resistor(1/10W 10KΩ ±5%)	[R153]
126	RR-TZ3019SCZZ	AA		C	Resistor	[RA1]
127	RR-TZ3019SCZZ	AA		C	Resistor	[RA2]
128	RVR-Z2004SCZZ	AD		B	Variable resistor	[VR1]
129	RCRSQ5030XHZZ	AF		B	Crystal(8MHz)	[X1]
	(Unit)					
901	DCEKC470BXH02	BR	N	E	Printer PWB unit	
<b>[20] Power supply PWB unit</b>						
1	LANGK8132PAZZ	AC		C	Bracket	
2	LANGK8223PAZZ	AE		C	SW bracket	
3	LANGK8224PAZZ	AE		C	Inlet bracket	
4	PRDAR0331PAZZ	AE		C	Heat sink	

NO.	PARTS CODE	PRICE RANK	NEW MARK	PART RANK	DESCRIPTION
[20] Power supply PWB unit					
5	PRDAR0570PAZZ	AK		C	Heat sink
6	RCORF0071PAZZ	AB		C	Ferrite beads [BJ2]
7	RC-FZ138DPAZZ	AE		C	Capacitor(250WV 0.22μF) [C1]
8	RC-FZ137DPAZZ	AE		C	Capacitor(250WV 0.1μF) [C2]
9	RC-QZ0173PAZZ	AC		C	Capacitor(125WV 1000PF) [C3]
10	RC-QZ0173PAZZ	AC		C	Capacitor(125WV 1000PF) [C4]
11	RC-QZ0176PAZZ	AD		C	Capacitor(125WV 4700PF) [C5]
12	RC-EZ0425PAZZ	AR		C	Capacitor(200WV 470μF) [C6]
13	RC-FZ137DPAZZ	AE		C	Capacitor(250WV 0.1μF) [C7]
14	RC-KZ0074PAZZ	AB		C	Capacitor(500WV 470PF) [C8]
15	RC-QZ0226PAZZ	AB		C	Capacitor(50WV 0.01μF) [C9]
16	RC-QZ0227PAZZ	AB		C	Capacitor(50WV 3300PF) [C10]
17	RC-QZS104PARK	AC		C	Capacitor(50WV 0.1μF) [C13]
18	RC-QZS473PARK	AB		C	Capacitor(50WV 0.047μF) [C14]
19	VCEAFU1VM108M	AF		C	Capacitor(35WV 1000μF) [C15]
20	VCEAFU1HM105M	AC		C	Capacitor(50WV 1μF) [C16]
21	VCEAFU1AM228M	AF		C	Capacitor(10WV 2200μF) [C17]
22	RC-QZ0221PAZZ	AD		C	Capacitor(250WV 0.01μF) [C19]
23	VCEAFU1HM105M	AC		C	Capacitor(50WV 1μF) [C21]
24	QPLGZ0587PAZZ	AE		C	Connector(8pin) [CN1]
25	QPLGZ0526PAZZ	AD		C	Connector(3pin) [CN2]
26	QPLGJ2217YAZZ	AC		C	Connector(2pin) [CN3]
27	QPLGJ2672YAZZ	AD		C	Connector(3pin) [CN4]
28	QPLGZ0347PAZZ	AF		C	Connector(12pin) [CN5]
29	QSOCA0030PAZZ	AG		C	AC socket [CNAC]
30	VHD1SS244/-1	AC		B	Diode(1SS244) [D1]
31	VHDFMXG12S/-1	AG		B	Diode(FMXG12S) [D2]
32	VHDFMB-24M/-1	AF		B	Diode(FMB-24M) [D3]
33	VHDERA2206/-1	AD		B	Diode(ERA22-06) [D4]
34	VHD1SS270A/-1	AA		B	Diode(1SS270A) [D5]
35	VHDD3SBA60/-1	AG		B	Diode(D3SBA60) [DB2]
36	QFS-F0046PAZZ	AD		A	Fuse(125V 4A) [FS1]
37	QFSHA0016PAZZ	AC		C	Fuse-holder [FS1]
38	QFS-F0020PAZZ	AD		A	Fuse(125V 8A) [FS2]
39	QFSHA0016PAZZ	AC		C	Fuse-holder [FS2]
40	QFS-F0046PAZZ	AD		A	Fuse(125V 4A) [FS3]
41	QFSHA0016PAZZ	AC		C	Fuse-holder [FS3]
42	QFS-F0046PAZZ	AD		A	Fuse(125V 4A) [FS4]
43	QFSHA0016PAZZ	AC		C	Fuse-holder [FS4]
44	RH-IX0783PAZZ	AD		B	IC(L5431) [IC1]
45	RH-IX1659PAZZ	AP		B	IC(PQ30RV21) [IC2]
46	RTRNZ0577PACT	AK		C	Line-Filter [L1]
47	VHVC271D10A-1	AD		B	Varistor(ENC271D-10A) [NR1]
48	VHVC271D10A-1	AD		B	Varistor(ENC271D-10A) [NR2]
49	VHVC271D10A-1	AD		B	Varistor(ENC271D-10A) [NR3]
50	QSPGH0007PAZZ	AK		C	Varistor(DSA302A) [NR4]
51	RH-PX0296PAZZ	AF		B	Photo coupler(PC817X2) [PC1]
52	VHRS21MT2/-1	AK		B	Photo coupler(S21MT2) [PC2]
53	VS2SC1213-C1A	AC		B	Transistor(2SC1213C) [Q2]
54	VSDTC114ESA-1	AC		B	Transistor(DTC114ESA) [Q3]
55	VSDTA114ESA-1	AC		B	Transistor(DTA114ESA) [Q4]
56	VS2SK2185/-1	AL		B	Transistor(2SK2185) [Q10]
57	VRD-ST2CD474J	AA		C	Resistor(1/6W 470KΩ ±5%) [R1]
58	VRD-ST2CD274J	AB		C	Resistor(1/6W 270KΩ ±5%) [R4]
59	VRD-ST2CD274J	AB		C	Resistor(1/6W 270KΩ ±5%) [R5]
60	VRS-FT3DD220J	AC		C	Resistor(2W 22Ω ±5%) [R6]
61	VRD-ST2HF681J	AB		C	Resistor(1/2W 680Ω ±5%) [R8]
62	RR-NZ0065PAZZ	AB		C	Resistor(1/4W 3.9KΩ) [R9]
63	VRD-ST2CD223J	AA		C	Resistor(1/6W 22KΩ ±5%) [R10]
64	VRD-ST2CD473J	AA		C	Resistor(1/6W 47KΩ ±5%) [R11]
65	RR-XZ0065PAZZ	AC		C	Fusing resistor(1/6W 2.2Ω) [R12]
66	VRD-ST2CD122J	AA		C	Resistor(1/6W 1.2KΩ ±5%) [R13]
67	VRD-ST2CD331J	AA		C	Resistor(1/6W 330Ω ±5%) [R14]
68	VRD-ST2CD473J	AA		C	Resistor(1/6W 47KΩ ±5%) [R15]
69	VRD-ST2CD222J	AA		C	Resistor(1/6W 2.2KΩ ±5%) [R16]
70	VRD-ST2CD223J	AA		C	Resistor(1/6W 22KΩ ±5%) [R18]
71	RR-SZ0074PAZZ	AB		C	Resistor(2W 1KΩ) [R19]
72	RR-SZ0074PAZZ	AB		C	Resistor(2W 1KΩ) [R20]
73	VRD-ST2HF122J	AA		C	Resistor(1/2W 1.2KΩ ±5%) [R21]
74	VRD-ST2HF101J	AA		C	Resistor(1/2W 100Ω ±5%) [R22]
75	VRD-ST2HF104J	AA		C	Resistor(1/2W 100KΩ ±5%) [R24]
76	VRD-ST2CD183J	AA		C	Resistor(1/6W 18KΩ ±5%) [R25]
77	VRD-ST2CD222J	AA		C	Resistor(1/6W 2.2KΩ ±5%) [R26]
78	VRD-ST2CD222J	AA		C	Resistor(1/6W 2.2KΩ ±5%) [R27]
79	VRD-ST2CD222J	AA		C	Resistor(1/6W 2.2KΩ ±5%) [R28]
80	VRD-ST2CD330J	AA		C	Resistor(1/6W 33Ω ±5%) [R29]
81	VRD-ST2CD330J	AA		C	Resistor(1/6W 33Ω ±5%) [R30]
82	RR-XZ0078PAZZ	AC		C	Fusing resistor(1/6W 33Ω) [R35]
83	RR-XZ0076PAZZ	AC		C	Fusing resistor(1/6W 15Ω) [R41]
84	RR-SN2322PA6F	AB		C	Resistor(1/6W 23.2KΩ) [R51]

NO.	PARTS CODE	PRICE RANK	NEW MARK	PART RANK	DESCRIPTION
<b>[20] Power supply PWB unit</b>					
85	RR-NZ0064PAZZ	AB		C	Resistor(1/4W 1.2K $\Omega$ ) [R52]
86	VRD-ST2CD124J	AB		C	Resistor(1/6W 120K $\Omega$ $\pm$ 5%) [R62]
87	RRLYZ0101PAZZ	AK		B	Relay(SDT-SS-124DM) [RL1]
88	VHSTF321S//1	AG		B	Thyristor(TF321S) [SCR1]
89	VHS03P2M//1-3	AG		B	Thyristor(03P2M(L)) [SCR2]
90	QSW-C0048PAZZ	AN		C	Switch(AJ7220BK) [SW1]
91	RTRNZ0674PACD	AQ		B	Trans former [T1]
92	VHH11D8R0LA-1	AF		B	Thermistor(NTH11D8R0LA) [TH1]
93	VHSTM1241I//1	AN		B	Thyristor(TM1241I) [TRC1]
94	RVR-M0390PAZZ	AD		C	Variable resistor [VR1]
95	VHEHVS6B2//1	AC		B	Zener diode(HZS6B2) [ZD1]
96	VHEHVS15-3/-1	AC		B	Zener diode(HZS15-3) [ZD2]
97	VHEHVS6B2//1	AC		B	Zener diode(HZS6B2) [ZD3]
98	VHEHVS27-3/-1	AC		B	Zener diode(HZS27-3) [ZD4]
99	VHEHVS36-1/-1	AC		B	Zener diode(HZS36-1) [ZD5]
100	QLUGZ0008PAZZ	AC		C	SW LUG
B1	LX-BZ0241PAZZ	AA		C	Screw(3x8)
B2	LX-BZ0254PAZZ	AB		C	Screw(3x6)
B3	LX-BZ0273PAZZ	AB		C	Screw(3x6)
B4	LX-BZ0427PAZZ	AB		C	Screw(3x14)
B5	XBSSN30P06000	AA		C	Screw(3x6)
	(Unit)				
901	RDENT2135XHZZ	BM		E	Power supply PWB unit
<b>[21] Operation panel PWB unit</b>					
	(Unit)				
901	DCEKP496AXH03	BC		E	Operation panel PWB unit
<b>[22] High voltage PWB unit</b>					
	(Unit)				
901	0KW4109620201	BR		E	High voltage PWB unit
<b>[23] Toner empty PWB unit</b>					
	(Unit)				
901	0KW4122010202	BD		E	Toner empty PWB unit
<b>[24] 2nd.cassette PWB unit</b>					
1	VCKYPA1HF223Z	AA		C	Capacitor(50WV 0.022 $\mu$ F) [C1]
2	QCNCM7014SC0B	AD		C	Connector(2pin) [CN1]
3	QCNCM2584SC1C	AG		C	Connector(13pin) [CN2]
4	QCNCM7014SC1J	AC		C	Connector(10pin) [CN3]
5	QCNCM2498SC0E	AH		C	Connector(5pin) [CN4]
6	VHD1SR139-400	AB	N	B	Diode(1SR139-400) [D1]
7	VHISN74HC157N	AE		B	IC,TTL(74HC157) [IC1]
8	VHPSG206S//1	AG		B	Photo transistor(SG206S) [PC1]
9	VRD-HT2EY153J	AA		C	Resistor(1/4W 15K $\Omega$ $\pm$ 5%) [R1]
10	VRD-HT2EY181J	AA		C	Resistor(1/4W 180 $\Omega$ $\pm$ 5%) [R2]
11	VRD-HT2EY153J	AA		C	Resistor(1/4W 15K $\Omega$ $\pm$ 5%) [R3]
12	VRD-HT2EY472J	AA		C	Resistor(1/4W 4.7K $\Omega$ $\pm$ 5%) [R4]
13	VRD-HT2EY472J	AA		C	Resistor(1/4W 4.7K $\Omega$ $\pm$ 5%) [R5]
14	VRD-HT2EY472J	AA		C	Resistor(1/4W 4.7K $\Omega$ $\pm$ 5%) [R6]
15	VRD-HT2EY472J	AA		C	Resistor(1/4W 4.7K $\Omega$ $\pm$ 5%) [R7]
16	VRD-HT2EY472J	AA		C	Resistor(1/4W 4.7K $\Omega$ $\pm$ 5%) [R8]
	(Unit)				
901	DCEKZ472BXH01	AT	N	E	2nd. cassette PWB unit
<b>[25] 3rd.cassette PWB unit</b>					
1	VCEAGA1HW335M	AB		C	Capacitor(50WV 3.3 $\mu$ F) [C2]
2	VCKYPA1HB222K	AA		C	Capacitor(50WV 2200PF) [C4]
3	VCKYPA1HF223Z	AA		C	Capacitor(50WV 0.022 $\mu$ F) [C5]

NO.	PARTS CODE	PRICE RANK	NEW MARK	PART RANK	DESCRIPTION
<b>[25] 3rd.cassette PWB unit</b>					
4	VCKYPA1HF223Z	AA		C	Capacitor(50WV 0.022μF) [C6]
5	QCNCM7014SC1J	AC		C	Connector(10pin) [CN5]
6	QCNCM7014SC0B	AD		C	Connector(2pin) [CN6]
7	QCNCM2498SC0E	AH		C	Connector(5pin) [CN7]
8	QCNCM7014SC0F	AB		C	Connector(6pin) [CN8]
9	VHDDSS133//1	AA		B	Diode(1SS133) [D1]
10	VHD1SR139-400	AB	N	B	Diode(1SR139-400) [D2]
11	VHVICPN20//1	AD		B	Varistor(ICP-N20) [F1]
12	VHIM54666P+-1	AR	N	B	IC(M54666P) [IC1]
13	RH-IX2153XHZZ	AF	N	B	IC(74HC164) [IC2]
14	RH-IX2154XHZZ	AE	N	B	IC(74HC02) [IC3]
15	VHPSG206S//1	AG		B	Photo transistor(SG206S) [P1]
16	VS2SD1164//1	AE		B	Transistor(2SD1164) [Q1]
17	VRD-HT2EY472J	AA		C	Resistor(1/4W 4.7KΩ ±5%) [R1]
18	VRD-HT2EY103J	AA		C	Resistor(1/4W 10KΩ ±5%) [R2]
19	VRD-HT2EY181J	AA		C	Resistor(1/4W 180Ω ±5%) [R4]
20	VRD-HT2EY103J	AA		C	Resistor(1/4W 10KΩ ±5%) [R5]
21	VRD-HT2EY103J	AA		C	Resistor(1/4W 10KΩ ±5%) [R6]
22	VRD-HT2EY103J	AA		C	Resistor(1/4W 10KΩ ±5%) [R7]
23	VRD-HT2EY103J	AA		C	Resistor(1/4W 10KΩ ±5%) [R8]
24	VRS-RE3LA101J	AC		C	Resistor(3W 100Ω ±5%) [R9]
	(Unit)				
901	DCEKZ228CXH01	BN	N	E	3rd. cassette PWB unit
<b>[26] Memory PWB unit</b>					
1	VCEAPS226AF1C	AC		C	Capacitor(16WV 22μF) [C4]
2	VCEAPS226AF1C	AC		C	Capacitor(16WV 22μF) [C9]
3	VCEAPS226AF1C	AC		C	Capacitor(16WV 22μF) [C10]
4	VCKYTV1EF104Z	AA		C	Capacitor(25WV 0.1μF) [C100]
5	VCKYTV1EF104Z	AA		C	Capacitor(25WV 0.1μF) [C101]
6	VCKYTV1EF104Z	AA		C	Capacitor(25WV 0.1μF) [C102]
7	VCKYTV1EF104Z	AA		C	Capacitor(25WV 0.1μF) [C105]
8	VCKYTV1EF104Z	AA		C	Capacitor(25WV 0.1μF) [C106]
9	VCKYTV1EF104Z	AA		C	Capacitor(25WV 0.1μF) [C107]
10	VCKYTV1EF104Z	AA		C	Capacitor(25WV 0.1μF) [C110]
11	VCKYTV1EF104Z	AA		C	Capacitor(25WV 0.1μF) [C113]
12	VCKYTV1EF104Z	AA		C	Capacitor(25WV 0.1μF) [C116]
13	VCKYTV1EF104Z	AA		C	Capacitor(25WV 0.1μF) [C118]
14	QCNCW2590SC5J	AM	N	C	Connector(DHB-RD50-S131N-2.9) [CNOF]
15	VHDHRW0502A-1	AD		B	Diode(HRW0502A) [D1]
16	VHDHRW0502A-1	AD		B	Diode(HRW0502A) [D2]
17	VHIHD74HC244F	AE	N	B	IC(HD74HC244) [IC1]
18	VHIHD74HC244F	AE	N	B	IC(HD74HC244) [IC2]
19	VHIHD74HC244F	AE	N	B	IC(HD74HC244) [IC3]
20	VHILH28F016SU	BR		B	IC(LH28F016SUT) [IC4]
21	VHIHD74HC138F	AE	N	B	IC(HD74HC138) [IC6]
22	VRS-TV2AD000J	AA		C	Resistor(1/10W 0Ω ±5%) [R100]
23	VRS-TV2AD472J	AA		C	Resistor(1/10W 4.7KΩ ±5%) [R101]
24	VRS-TV2AD000J	AA		C	Resistor(1/10W 0Ω ±5%) [R102]
25	VRS-TV2AD472J	AA		C	Resistor(1/10W 4.7KΩ ±5%) [R103]
26	VRS-TS2AD910J	AA		C	Resistor(1/10W 91Ω ±5%) [R111]
27	VRS-TS2AD910J	AA		C	Resistor(1/10W 91Ω ±5%) [R112]
28	VRS-TS2AD910J	AA		C	Resistor(1/10W 91Ω ±5%) [R113]
29	VRS-TS2AD910J	AA		C	Resistor(1/10W 91Ω ±5%) [R114]
30	VRS-TS2AD910J	AA		C	Resistor(1/10W 91Ω ±5%) [R115]
31	VRS-TS2AD910J	AA		C	Resistor(1/10W 91Ω ±5%) [R116]
32	VRS-TS2AD910J	AA		C	Resistor(1/10W 91Ω ±5%) [R117]
33	VRS-TS2AD910J	AA		C	Resistor(1/10W 91Ω ±5%) [R118]
34	VRS-TS2AD910J	AA		C	Resistor(1/10W 91Ω ±5%) [R119]
35	VRS-TS2AD910J	AA		C	Resistor(1/10W 91Ω ±5%) [R120]
36	VRS-TS2AD910J	AA		C	Resistor(1/10W 91Ω ±5%) [R121]
37	VRS-TS2AD910J	AA		C	Resistor(1/10W 91Ω ±5%) [R122]
38	VRS-TS2AD910J	AA		C	Resistor(1/10W 91Ω ±5%) [R123]
39	VRS-TS2AD910J	AA		C	Resistor(1/10W 91Ω ±5%) [R124]
40	VRS-TS2AD910J	AA		C	Resistor(1/10W 91Ω ±5%) [R125]
41	VRS-TS2AD910J	AA		C	Resistor(1/10W 91Ω ±5%) [R126]
42	VRS-TS2AD910J	AA		C	Resistor(1/10W 91Ω ±5%) [R127]
43	VRS-TS2AD910J	AA		C	Resistor(1/10W 91Ω ±5%) [R128]
44	VRS-TS2AD910J	AA		C	Resistor(1/10W 91Ω ±5%) [R129]
	(Unit)				
901	DCEKM473BXH01	BR	N	E	Memory PWB unit

## Index

PARTS CODE	No.	PRICE RANK	NEW MARK	PART RANK
[C]				
CBSHP2079SC02	7-1	AL		C
CCASP2107XH67	3-1	BF	N	E
"	4-901	BF	N	E
CCASP2108XH01	12-901	BE		E
"	14-901	BE		E
CCNW-4955XH01	1-1	AG		C
CGIDM2539XH01	5-901	AY		E
CPLTP2803XHC3	16-1	AV		C
CPLTP3009XHC1	16-2	AU		C
CROLP2320XH01	2-1	AZ		C
CROLR2423XH01	13-2	AV		C
"	15-2	AV		C
[D]				
DCEKC282NXHZZ	1-2	BZ	N	E
"	17-901	BZ	N	E
DCEKC470BXH02	1-3	BR	N	E
"	19-901	BR	N	E
DCEKC688NXHZZ	1-2		N	E
"	17-901		N	E
DCEKL471BXH01	1-4	AZ		E
"	18-901	AZ		E
DCEKM473BXH01	1-49	BR		E
"	26-901	BR	N	E
DCEKP496AXH03	4-1	BC		E
"	21-901	BC		E
DCEKZ228CXH01	15-3	BN	N	E
"	25-901	BN	N	E
DCEKZ472BXH01	13-3	AT	N	E
"	24-901	AT	N	E
[G]				
GCABA2327XHSD	1-5	AP	N	D
GCABB2328XHSA	1-6	AU		D
GCABC2329XHSA	1-7	AG		D
GCABD2330XHSA	1-8	AL		D
GCABE2331XHSA	1-9	AK		C
GCABG2333XHSA	13-4	AQ		C
"	15-4	AQ		C
GCABH2334XHSA	13-5	AN		C
"	15-5	AN		C
GCASP2107XHZZ	4-2	AM		D
GCASP2108XHSA	12-1	AT		C
"	14-1	AT		C
GCASP2109XHSA	12-2	AM		C
"	14-2	AM		C
GCOVA2405XHSA	2-2	AK		C
GCOVA2407XHSA	13-6	AH		C
"	15-6	AH		C
GCOVA2408XHSA	1-10	AH		D
"	13-7	AH		C
"	15-7	AH		C
GCOVA2416XHSA	16-26	AF	N	C
[H]				
HPNLC2400XHSA	1-11	AH	N	C
[J]				
JBTN-2184XHZZ	4-3	AK		C
JBTN-2185XHZZ	4-4	AH		C
JBTN-2187XHZZ	4-5	AE		C
JBTN-2189XHZZ	4-6	AC		C
JBTN-2253XHSA	4-7	AC		C
JBTN-2254XHSA	4-8	AC		C
JBTN-2255XHSA	2-3	AD		C
[L]				
LANGF2819XHZZ	5-1	AF		C
LANGF2825XHZZ	13-8	AF		C
"	15-8	AF		C
LANGK2826XHZZ	13-45	AV	N	C
LANGK8132PAZZ	20-1	AC		C
LANGK8223PAZZ	20-2	AE		C
LANGK8224PAZZ	20-3	AE		C
LBNJD2006XHZZ	1-12	AA		C
LBSHP2109XHZZ	13-9	AF		C
"	15-9	AF		C
LBSHP2113XHZZ	7-2	AH		C
LFRM-2201XHZZ	7-3	AL		C
LFRM-2202XHZZ	1-13	AP		C
LFRM-2203XHZZ	1-14	AQ		C
LHLDW2158SCZZ	1-15	AC		C
LHLDW2182SCZZ	1-16	AC		C
LHLDW2183SCZZ	1-17	AD		C

PARTS CODE	No.	PRICE RANK	NEW MARK	PART RANK
LHLDW2183SCZZ	6-1	AD		C
LPINS2032XHZZ	13-10	AF		C
"	15-10	AF		C
LPLTM3011XHZZ	5-2	AK		C
LPLTM3012XHZZ	7-4	AL		C
LPLTM3013XHZZ	6-2	AK		C
LPLTM3014XHZZ	1-18	AS		C
LPLTM3015XHZZ	1-19	AE		C
LPLTM3018XHZZ	1-20	AN		C
LPLTM3019XHZZ	2-4	AD		C
LPLTM3022XHZZ	12-3	AS		C
"	14-3	AS		C
LPLTM3024XHZA	13-1	AX	N	C
LPLTM3024XHZA	15-1	AX	N	C
LPLTM3025XHZZ	13-12	AS		C
"	15-12	AS		C
LPLTM3027XHZZ	13-13	AW		C
"	15-13	AW		C
LPLTM3028XHZA	15-14	AN	N	C
LPLTM3028XHZZ	13-14	AN		C
LPLTM3029XHZZ	19-65	AF		C
LPLTM3034XHZZ	1-21	AQ		C
LPLTM3036XHZZ	2-19	AH		C
LPLTM3037XHZZ	1-23	AD		C
LPLTM3079XHZZ	15-48	AG	N	C
LPLTM3080XHZZ	13-44	AF	N	C
"	15-47	AF	N	C
LPLTP2819XHZZ	5-3	AD		C
LPLTP2821XHZZ	5-4	AD		C
LPLTP2823XHZZ	4-9	AF		C
LPLTP3016XHSA	1-24	AN		C
LPLTP3017XHSA	1-25	AH		C
LPLTP3021XHZZ	12-4	AF		C
"	14-4	AF		C
LPLTP3023XHZZ	13-15	AF		C
"	15-15	AF		C
LPLTP3044XHZZ	13-16	AF		C
"	15-16	AF		C
LPLTP3078XHZZ	15-44	AE	N	C
LRALP2023XHZZ	13-17	AD		C
"	15-17	AD		C
LRALP2024XHZZ	13-18	AD		C
"	15-18	AD		C
LSTPP2052XHZZ	5-5	AD		C
LSTY-0057AFZZ	1-50	AC		C
LX-BZ0241PAZZ	20-B1	AA		C
LX-BZ0254PAZZ	20-B2	AB		C
LX-BZ0273PAZZ	20-B3	AB		C
LX-BZ0427PAZZ	20-B4	AB		C
LX-BZ2138XHZZ	2-B1	AB		C
LX-BZ2205XHZZ	1-B7	AC		C
"	2-B2	AC		C
"	5-B2	AC		C
"	12-B2	AC		C
"	14-B2	AC		C
LX-BZ2240XHZZ	13-B5	AB		C
"	15-B5	AB		C
LX-BZ2241XHZZ	1-B8	AC		C
[M]				
MLEVP2304XHSA	5-6	AE		C
MLEVP2305XHZZ	2-5	AD		C
MLEVP2308XHZZ	13-19	AD		C
"	15-19	AD		C
MLEVP2309XHZZ	13-20	AE		C
"	15-20	AE		C
MLOK-2008XHZZ	13-21	AC		C
"	15-21	AC		C
MSPRC2843XHZZ	5-7	AC		C
MSPRC3090XHZZ	2-7	AH		C
MSPRC3092XHZZ	12-5	AD		C
"	14-5	AD		C
MSPRC3095XHZZ	13-23	AD		C
"	15-23	AD		C
MSPRC3097XHZZ	13-25	AD		C
"	15-25	AD		C
MSPRC3100XHZZ	2-8	AF		C
MSPRC3126XHZZ	5-11	AG		C
MSPRC3138XHZZ	7-5	AE		C
MSPRC3149XHZZ	2-6	AB		C
MSPRC3179XHZZ	5-8		N	C

PARTS CODE	No.	PRICE RANK	NEW MARK	PART RANK
MSPRC3180XHZZ	5-10	AD	N	C
MSPRC3181XHZZ	13-24	AD	N	C
"	15-24	AD	N	C
MSPRD3086XHZZ	7-6	AH		C
MSPRD3091XHZZ	2-9	AF		C
MSPRD3093XHZZ	13-22	AG	N	C
"	15-22	AG	N	C
MSPRD3125XHZZ	12-6	AD		C
"	14-6	AD		C
MSPRP2841XHZZ	7-7	AC		C
MSPRP3055XHFFJ	1-26	AD		C
MSPRP3083XHZZ	5-12	AF		C
MSPRP3087XHZZ	7-8	AF		C
MSPRP3088XHZZ	7-9	AF		C
[N]				
NBRGP2128XHZA	7-10	AE		C
NBRGP2138XHZZ	7-11	AD		C
NBRGP2141XHZZ	7-12	AH		C
NGERH2319XHZZ	7-13	AD		C
NGERH2320XHZZ	7-14	AD		C
NGERH2322XHZZ	7-15	AC		C
NGERH2462XHZZ	7-16	AC		C
NGERH2463XHZZ	7-17	AC		C
NGERH2464XHZZ	6-3	AC		C
NGERH2465XHZZ	6-4	AC		C
NGERH2466XHZZ	1-27	AE		C
"	2-10	AE		C
NGERH2469XHZZ	13-26	AC		C
"	15-26	AC		C
NGERH2470XHZZ	13-27	AC		C
"	15-27	AC		C
NGERH2471XHZZ	13-28	AE		C
"	15-28	AE		C
NGERH2472XHZZ	13-42	AA	N	C
NGERH2473XHZZ	15-45	AE	N	C
NGERH2474XHZZ	15-42	AE	N	C
NGERP2318XHZZ	2-11	AD		C
NROLP2332XHZZ	7-18	AD		C
NROLP2334XHZA	5-13	AC		C
"	13-29	AC		C
"	15-29	AC		C
NROLP2420XHZZ	1-28	AM		C
NROLP2421XHZZ	2-12	AM		C
NROLR2338XHZZ	7-20	AK		C
NROLR2417XHZZ	7-19	AH		C
NROLR2418XHZZ	7-21	AL		C
NROLR2419XHZZ	7-22	AK		C
NROLR2422XHZZ	13-30	AN		C
"	15-30	AN		C
NSFTZ2306XHZZ	5-14	AD		C
NSFTZ2307XHZZ	7-23	AK		C
NSFTZ2308XHZZ	7-24	AL		C
NSFTZ2309XHZZ	13-31	AC		C
"	15-31	AC		C
NSFTZ2312XHZZ	13-32	AC		C
"	15-32	AC		C
[P]				
PBR5-2047SCZZ	5-15	AG		C
PBR5-2048XHZZ	7-25	AD		C
PCAPH2032XHZZ	12-7	AC		C
"	13-11	AC		C
"	14-7	AC		C
"	15-11	AC		C
PCUSS2097XHZZ	4-10	AC		C
PCUSS2122XHZZ	1-29	AC		C
PCUSS2127XHZZ	2-20	AC		C
PCUSS2126XHZZ	1-35	AC		C
PGIDM2539XHZA	5-16	AL	N	C
PGIDM2540XHZZ	5-17	AF		C
PGIDM2541XHSA	3-2	AL	N	C
PGIDM2542XHSA	1-30	AD		C
PGIDM2543XHSA	1-31	AD		C
PGIDM2544XHSA	2-13	AE		C
PGIDM2545XHSA	2-14	AC		C
PGIDM2546XHZZ	2-15	AH		C
PGIDM2547XHZZ	2-16	AK		C
PGIDM2549XHZZ	12-8	AQ		C
"	14-8	AQ		C
PGIDM2552XHZZ	13-33	AM		C
"	15-33	AM		C

PARTS CODE	No.	PRICE RANK	NEW MARK	PART RANK
PGUMM2162XHZZ	5-18	AF		C
PLEGP2071XHZZ	1-32	AE		C
"	13-34	AE		C
"	15-34	AE		C
PMAGE2056SCZA	13-35	AN	N	C
"	15-35	AN	N	C
PRDAR0331PAZZ	20-4	AE		C
PRDAR0570PAZZ	20-5	AK		C
PSEL-2017XHZZ	12-9	AE		D
"	14-9	AE		D
PSHEZ3410XHZZ	1-33	AB		C
PSHEZ3418XHZZ	5-9	AC		C
PSHEZ3419XHZZ	5-19	AB		C
PSHEZ3437XHZZ	13-36	AF		C
"	15-36	AF		C
PSHEZ3449XHZL	12-10	AF		D
"	14-10	AF		D
PSHEZ3449XHZR	12-11	AF		D
"	14-11	AF		D
PSHEZ3455XHZZ	2-17	AF		C
PSHEZ3473XHZZ	1-47	AN		C
PSHEZ3474XHZZ	1-48	AF		C
PSHEZ3477XHZZ	13-41	AB	N	C
"	15-41	AB	N	C
PSHEZ3478XHZZ	13-40	AB	N	C
"	15-40	AB	N	C
PSHEZ3480XHSA	4-11	AF	N	C
PSPAZ2245XHZZ	16-15	AD	N	C
PSPAZ2253XHZZ	13-43	AD	N	C
PSPAZ2255XHZZ	15-43	AD	N	C
PSPAZ2256XHZZ	16-33	AD	N	C
PSPO-2001XHZZ	1-34	AD		C
PSPO-2002XHZZ	12-12	AF		C
"	14-12	AF		C
PSPO-2003XHZZ	12-13	AF		C
"	14-13	AF		C
PSPO-2004XHZZ	12-14	AF		C
"	14-14	AF		C
PSPO-2005XHZZ	12-15	AF		C
"	14-15	AF		C
PSTM-2015SCZZ	7-34	AX		E
PTME-2060XHZZ	2-18	AF		C
PTME-2062XHZZ	12-16	AF		C
"	14-16	AF		C
PTME-2063XHZZ	12-17	AF		C
"	14-17	AF		C
PTME-2064XHZZ	12-18	AF		C
"	14-18	AF		C
PTME-2067XHZZ	7-26	AK		C
[Q]				
QACCD7618QCZZ	16-19	AQ		C
QCNCM2401SC0B	17-192	AA		C
QCNCM2401SC0D	19-60	AC		C
QCNCM2482SC2D	17-188	AB		C
QCNCM2484SC0B	19-49	AB		C
QCNCM2484SC0H	19-54	AD		C
QCNCM2498SC0B	19-57	AB		C
QCNCM2498SC0D	19-59	AD		C
QCNCM2498SC0E	24-5	AH		C
"	25-7	AH		C
QCNCM2499SC0I	17-185	AE		C
QCNCM2525SC3J	17-189	AH		C
QCNCM2525SC4J	17-187	AK		C
QCNCM2584SC0B	19-50	AC		C
QCNCM2584SC0C	19-55	AC		C
QCNCM2584SC0D	19-53	AD		C
QCNCM2584SC0E	19-56	AD		C
QCNCM2584SC0G	19-52	AE		C
QCNCM2584SC1A	19-51	AG		C
QCNCM2584SC1C	19-58	AG		C
"	24-3	AG		C
QCNCM2585SC0D	19-61	AD		C
QCNCM2589SC5J	17-186	AL		C
QCNCM7014SC0B	17-193	AD		C
"	24-2	AD		C
"	25-6	AD		C
QCNCM7014SC0D	17-194	AB		C
QCNCM7014SC0F	25-8	AB		C
QCNCM7014SC0H	17-191	AB		C
QCNCM7014SC1B	17-190	AD		C

PARTS CODE	No.	PRICE RANK	NEW MARK	PART RANK
QCNCM7014SC1J	17-184	AC		C
"	24-4	AC		C
"	25-5	AC		C
QCNCW2500SC0I	18-19	AF		C
QCNCW2527SC3J	19-48	AM		C
QCNCW2590SC5J	26-14	AM	N	C
QCNCW-277AXHZZ	7-27	AY	N	C
QCNCW-283AXHZZ	15-37	AK	N	C
QCNCW-316AXHZZ	1-51	AF	N	C
"	5-20	AF	N	C
QCNCW-4786XHGY	16-3	AL	N	C
QCNCW-4949XHZZ	4-12	AR		C
QCNCW-4952XHZZ	1-36	AF		C
QCNCW-4953XHZZ	7-28	AK		C
QCNCW-4956XHZZ	1-37	AK		C
QCNCW-4957XHZZ	1-38	AL		C
QCNCW-4960XHZZ	1-39	AD		C
QCNCW-4962XHZZ	13-37	AF		C
QCNCW-4964XHZZ	13-38	AF		C
"	15-38	AF		C
QFS-F0020PAZZ	20-38	AD		A
QFS-F0046PAZZ	20-36	AD		A
"	20-40	AD		A
"	20-42	AD		A
QFSHA0016PAZZ	20-37	AC		C
"	20-39	AC		C
"	20-41	AC		C
"	20-43	AC		C
QJAKZ2046SCBB	18-24	AH		C
QLUGZ0008PAZZ	20-100	AC		C
QPLGJ2217YAZZ	20-26	AC		C
QPLGJ2672YAZZ	20-27	AD		C
QPLGZ0347PAZZ	20-28	AF		C
QPLGZ0526PAZZ	20-25	AD		C
QPLGZ0587PAZZ	20-24	AE		C
QSOCA0030PAZZ	20-29	AG		C
QSOCZ2066SC42	17-234	AP		C
QSPGH0007PAZZ	20-50	AK		C
QSW-C0048PAZZ	20-90	AN		C
QSW-M2255SCZZ	1-40	AF		C
QSW-M2296XHZZ	1-41	AD		C
"	7-29	AD		C
QSW-M2298XHZZ	7-30	AE		C
QSW-Z2237SCZZ	7-31	AE		B
QSW-Z2285SCZZ	1-42	AK		C
QSW-Z2286XHZZ	13-39	AH		C
"	15-39	AH		C
QTANZ2042SCZZ	18-2	AB		C
[R]				
RC-EZ0425PAZZ	20-12	AR		C
RC-FZ137DPAZZ	20-8	AE		C
"	20-13	AE		C
RC-FZ138DPAZZ	20-7	AE		C
RC-FZ3024SCZZ	18-3	AG		C
RC-FZ3039XHZZ	19-43	AB		C
RC-KZ0074PAZZ	20-14	AB		C
RC-QZS104PARK	20-17	AC		C
RC-QZS473PARK	20-18	AB		C
RC-QZ0173PAZZ	20-9	AC		C
"	20-10	AC		C
RC-QZ0176PAZZ	20-11	AD		C
RC-QZ0221PAZZ	20-22	AD		C
RC-QZ0226PAZZ	20-15	AB		C
RC-QZ0227PAZZ	20-16	AB		C
RCORF0071PAZZ	20-6	AB		C
RCORF2124XHZZ	7-32	AE		B
RCORF2125XHZZ	3-3	AE		B
RCRSF0074AFZZ	17-576	AE		B
RCRSQ2162XHZZ	17-571	AH	N	B
RCRSQ2163XHZZ	17-574	AN	N	B
RCRSQ5030XHZZ	19-129	AF		B
RCRSZ2151XHZZ	17-573	AF		B
RCRSZ2152XHZZ	17-575	AF		B
RCRSZ2158XHZZ	17-572	AF		B
RDENT2135XHZZ	1-43	BM		E
"	20-901	BM		E
RH-IX0783PAZZ	20-44	AD		B
RH-IX1659PAZZ	20-45	AP		B
RH-IX2153XHZZ	25-13	AF	N	B
RH-IX2154XHZZ	25-14	AE	N	B

PARTS CODE	No.	PRICE RANK	NEW MARK	PART RANK
RH-IX2162XHZZ	19-67	AZ	N	B
RH-PX0296PAZZ	20-51	AF		B
RMOTZ2146XHZZ	6-5	AW		B
RMOTZ2147XHZZ	15-46	AT	N	B
RR-HZ3011SCZZ	18-35	AC		C
RR-NZ0064PAZZ	20-85	AB		C
RR-NZ0065PAZZ	20-62	AB		C
RR-SN2322PA6F	20-84	AB		C
RR-SZ0074PAZZ	20-71	AB		C
"	20-72	AB		C
RR-TZ3016SCZZ	17-565	AA		C
"	17-566	AA		C
"	17-567	AA		C
"	17-568	AA		C
RR-TZ3018SCZZ	17-569	AC		C
"	17-570	AC		C
RR-TZ3019SCZZ	19-126	AA		C
"	19-127	AA		C
RR-XZ0065PAZZ	20-65	AC		C
RR-XZ0076PAZZ	20-83	AC		C
RR-XZ0078PAZZ	20-82	AC		C
RRLYD3433XHZZ	18-18	AH		B
RRLYD0101PAZZ	20-87	AK		B
RTRNZ0577PACT	20-46	AK		C
RTRNZ0674PACD	20-91	AQ		B
RTRNZ2163SCZZ	18-57	AH		B
RUNTZ2038SCB4	7-33	AZ	N	E
RVR-M0390PAZZ	20-94	AD		C
RVR-Z2004SCZZ	19-128	AD		B
[S]				
SPAKA006AXHZZ	16-20	AC		C
SPAKA130BXHZZ	16-6	AH		C
SPAKA146BXHZZ	16-23	AH		D
SPAKA166BXHZZ	16-22	AH		C
SPAKA229BXHZZ	16-24	AE		C
SPAKA230BXHZZ	16-25	AE		C
SPAKA241BXHZZ	16-21	AH		C
SPAKA301BXH01	16-4	AK	N	D
SPAKA301BXH02	16-5	AK	N	D
SPAKA358BXHZZ	16-16		N	C
SPAKA416BXHZZ	16-28	AH	N	D
SPAKA438BXHZZ	16-29	AG	N	D
SPAKA439BXHZZ	16-31	AG	N	D
SPAKA440BXHZZ	16-32	AG	N	D
SPAKA451BXHZZ	16-30	AB	N	C
SPAKA505AXHZZ	16-7	AF		D
SPAKA506AXHZZ	16-8	AP		D
SPAKC299BSCZZ	16-9	AS	N	D
SPAKC299BXHZZ	16-9	AS	N	D
SPAKC427BXHZZ	16-9		N	D
SPAKP398BXHZZ	16-10	AF	N	D
SSAKA1430QCZZ	16-11	AB		D
SSAKA2003XHZZ	16-12	AA		D
SSAKA2342QCZZ	16-27	AA		C
[T]				
TINSE4089XHZZ	16-13	AG	N	D
TINSK4105XHZZ	16-13		N	D
TLABG4602XHZZ	1-52	AB		D
TLABH262AXHZZ	1-44	AE		D
TLABH263AXHZZ	12-19	AE		D
"	14-19	AE		D
TLABH4813XHSA	16-14	AE		D
TLABH4815XHSA	12-20	AE		D
"	14-20	AE		D
TLABN1235CCZZ	1-45	AA		D
TLABP3078SCZZ	1-46	AA		D
TLABP3937XHZZ	16-17	AD		D
TLABS334BXHZZ	1-22	AC	N	D
TLABZ3935XHZZ	16-18	AF	N	D
[U]				
UBATL2071XHZZ	17-1	AL		B
UINK-2009SC01	7-35	BA		C
[V]				
VCCCTV1HH100D	17-119	AA		C
"	17-120	AA		C
"	17-153	AA		C
VCCCTV1HH101J	17-70	AA		C
"	17-149	AA		C
"	17-177	AA		C
VCCCTV1HH120J	17-52	AA		C



PARTS CODE	No.	PRICE RANK	NEW MARK	PART RANK
VCCCTV1HH120J	17-80	AA		C
"	17-134	AA		C
VCCCTV1HH180J	17-33	AA		C
"	17-135	AA		C
"	19-29	AA		C
"	19-30	AA		C
VCCCTV1HH200J	17-114	AA		C
VCCCTV1HH270J	17-113	AC		C
VCCCTV1HH3R0C	17-154	AA	N	C
VCCCTV1HH300J	17-68	AA		C
"	17-75	AA		C
VCCCTV1HH470J	17-182	AA		C
"	17-183	AA		C
VCCCTV1HH7R0D	17-41	AC		C
"	17-64	AC		C
VCCSTV1HL102J	17-69	AA		C
VCCSTV1HL181J	17-160	AD		C
VCCSTV1HL331J	17-44	AA		C
"	17-46	AA		C
"	17-57	AA		C
"	17-128	AA		C
VCCSTV1HL471J	17-43	AC		C
"	17-45	AC		C
VCEAEA1CW336M	17-8	AB		C
"	17-9	AB		C
"	17-11	AB		C
VCEAEA1VW476M	17-10	AH		C
VCEAFU1AM228M	20-21	AF		C
VCEAFU1HM105M	20-20	AC		C
"	20-23	AC		C
VCEAFU1VM108M	20-19	AF		C
VCEAGA1CW227M	19-2	AB		C
VCEAGA1CW476M	17-3	AB		C
"	17-4	AB		C
"	17-7	AB		C
"	17-18	AB		C
VCEAGA1EW106M	17-12	AA		C
"	17-13	AA		C
"	17-14	AA		C
"	17-15	AA		C
"	17-16	AA		C
VCEAGA1EW476M	17-17	AA		C
VCEAGA1HW105M	17-6	AB		C
VCEAGA1HW107M	17-2	AA		C
"	18-16	AA		C
VCEAGA1HW225M	18-6	AA		C
VCEAGA1HW335M	25-1	AB		C
VCEAGA1HW475M	17-5	AA		C
"	18-11	AA		C
"	18-12	AA		C
"	18-13	AA		C
VCEAGA1VW476M	19-1	AB		C
VCEAPS226AF1C	26-1	AC		C
"	26-2	AC		C
"	26-3	AC		C
VCKYPA1HB222K	25-2	AA		C
VCKYPA1HF223Z	24-1	AA		C
"	25-3	AA		C
"	25-4	AA		C
VCKYPU1HB102K	18-8	AA		C
"	18-10	AA		C
VCKYPU1HB103K	18-4	AA		C
VCKYPU1HB471K	18-14	AA		C
VCKYPU1HF223Z	18-5	AA		C
"	18-17	AA		C
VCKYTV1CF105Z	17-22	AB		C
"	17-66	AB		C
"	17-67	AB		C
"	17-72	AB		C
"	17-131	AB		C
"	17-146	AB		C
"	17-167	AB		C
"	19-28	AB		C
VCKYTV1CF225Z	17-163	AD		C
"	17-181	AD		C
VCKYTV1EB102K	19-7	AD		C
"	19-24	AD		C
"	19-25	AD		C
"	19-27	AD		C
"	19-34	AD		C

PARTS CODE	No.	PRICE RANK	NEW MARK	PART RANK
VCKYTV1EB102K	19-35	AD		C
"	19-36	AD		C
"	19-37	AD		C
"	19-42	AD		C
"	19-45	AD		C
"	19-46	AD		C
VCKYTV1EB104K	17-102	AA		C
"	17-129	AA		C
"	17-156	AA		C
"	17-157	AA		C
"	17-158	AA		C
"	17-159	AA		C
"	17-161	AA		C
"	17-180	AA		C
VCKYTV1EB821K	19-5	AC		C
"	19-18	AC		C
"	19-32	AC		C
"	19-38	AC		C
VCKYTV1EF103Z	19-4	AA		C
"	19-6	AA		C
"	19-8	AA		C
"	19-10	AA		C
"	19-11	AA		C
"	19-12	AA		C
"	19-13	AA		C
"	19-14	AA		C
"	19-15	AA		C
"	19-16	AA		C
"	19-17	AA		C
"	19-19	AA		C
"	19-21	AA		C
"	19-22	AA		C
"	19-23	AA		C
"	19-26	AA		C
"	19-33	AA		C
"	19-47	AA		C
VCKYTV1EF104Z	17-19	AA		C
"	17-20	AA		C
"	17-21	AA		C
"	17-23	AA		C
"	17-25	AA		C
"	17-26	AA		C
"	17-27	AA		C
"	17-30	AA		C
"	17-31	AA		C
"	17-32	AA		C
"	17-34	AA		C
"	17-35	AA		C
"	17-36	AA		C
"	17-37	AA		C
"	17-39	AA		C
"	17-42	AA		C
"	17-47	AA		C
"	17-48	AA		C
"	17-49	AA		C
"	17-50	AA		C
"	17-51	AA		C
"	17-53	AA		C
"	17-58	AA		C
"	17-59	AA		C
"	17-61	AA		C
"	17-63	AA		C
"	17-71	AA		C
"	17-73	AA		C
"	17-74	AA		C
"	17-76	AA		C
"	17-77	AA		C
"	17-78	AA		C
"	17-81	AA		C
"	17-82	AA		C
"	17-83	AA		C
"	17-84	AA		C
"	17-86	AA		C
"	17-87	AA		C
"	17-88	AA		C
"	17-89	AA		C
"	17-93	AA		C
"	17-95	AA		C
"	17-96	AA		C
"	17-97	AA		C

PARTS CODE	No.	PRICE RANK	NEW MARK	PART RANK
VCKYTV1EF104Z	17-98	AA		C
"	17-99	AA		C
"	17-100	AA		C
"	17-101	AA		C
"	17-104	AA		C
"	17-106	AA		C
"	17-111	AA		C
"	17-112	AA		C
"	17-115	AA		C
"	17-117	AA		C
"	17-118	AA		C
"	17-121	AA		C
"	17-122	AA		C
"	17-123	AA		C
"	17-124	AA		C
"	17-125	AA		C
"	17-126	AA		C
"	17-127	AA		C
"	17-130	AA		C
"	17-132	AA		C
"	17-133	AA		C
"	17-137	AA		C
"	17-138	AA		C
"	17-148	AA		C
"	17-155	AA		C
"	17-162	AA		C
"	17-164	AA		C
"	17-165	AA		C
"	17-166	AA		C
"	17-168	AA		C
"	17-169	AA		C
"	17-170	AA		C
"	17-172	AA		C
"	17-173	AA		C
"	17-174	AA		C
"	17-179	AA		C
"	19-20	AA		C
"	19-41	AA		C
"	19-44	AA		C
"	26-4	AA		C
"	26-5	AA		C
"	26-6	AA		C
"	26-7	AA		C
"	26-8	AA		C
"	26-9	AA		C
"	26-10	AA		C
"	26-11	AA		C
"	26-12	AA		C
"	26-13	AA		C
VCKYTV1EF333Z	19-40	AB		C
VCKYTV1HB102K	17-56	AA		C
"	17-85	AA		C
"	17-147	AA		C
"	17-178	AA		C
VCKYTV1HB103K	17-92	AB		C
"	17-152	AB		C
VCKYTV1HB221K	17-176	AA		C
VCKYTV1HB222K	17-28	AA		C
"	17-29	AA		C
"	17-54	AA		C
"	17-55	AA		C
"	17-62	AA		C
"	17-65	AA		C
"	17-79	AA		C
"	17-90	AA		C
"	17-91	AA		C
"	17-94	AA		C
"	17-105	AA		C
"	17-107	AA		C
"	17-108	AA		C
"	17-109	AA		C
"	17-110	AA		C
"	17-116	AA		C
"	17-139	AA		C
"	17-140	AA		C
"	17-141	AA		C
"	17-142	AA		C
"	17-143	AA		C
"	17-144	AA		C
"	17-145	AA		C

PARTS CODE	No.	PRICE RANK	NEW MARK	PART RANK
VCKYTV1HB222K	17-150	AA		C
"	17-151	AA		C
VCKYTV1HB331K	17-175	AA	N	C
VCKYTV1HB472K	17-103	AA		C
VCKYTV1HF103Z	17-38	AA		C
"	17-40	AA		C
"	19-3	AA		C
"	19-9	AA		C
VCKYTV1HF104Z	17-24	AA		C
"	17-136	AA		C
"	17-171	AA		C
"	19-31	AA		C
"	19-39	AA		C
VCQYNA1HM333K	18-9	AA		C
"	18-15	AA		C
VEEAGA1HW225M	18-7	AB	N	C
VHDDAP202U/-1	17-199	AB		B
VHDDA204K//1	17-200	AC		B
"	17-212	AC		B
VHDDSS133//1	18-20	AA		B
"	18-21	AA		B
"	25-9	AA		B
VHDD3SBA60/-1	20-35	AG		B
VHDERA2206/-1	20-33	AD		B
VHDFMB-24M/-1	20-32	AF		B
VHDFMXG12S/-1	20-31	AG		B
VHDHRW0502A-1	17-202	AD		B
"	17-203	AD		B
"	17-204	AD		B
"	17-205	AD		B
"	17-206	AD		B
"	17-207	AD		B
"	17-208	AD		B
"	17-209	AD		B
"	17-210	AD		B
"	17-211	AD		B
"	17-213	AD		B
"	17-214	AD		B
"	17-215	AD		B
"	17-216	AD		B
"	17-217	AD		B
"	17-218	AD		B
"	17-219	AD		B
"	17-220	AD		B
"	17-221	AD		B
"	17-222	AD		B
"	17-223	AD		B
"	17-225	AD		B
"	17-226	AD		B
"	26-15	AD		B
"	26-16	AD		B
VHDSR104///-1	17-195	AF		B
"	17-196	AF		B
"	17-197	AF		B
"	17-198	AF		B
VHD0R5G4B42-1S	18-56	AF		B
VHD1SR139-400	24-6	AB	N	B
"	25-10	AB	N	B
VHD1SS226//1	19-62	AB		B
VHD1SS244//1	20-30	AC		B
VHD1SS270A/-1	20-34	AA		B
VHD1SS355//1	17-201	AB		B
"	17-224	AB		B
"	17-227	AB		B
"	17-228	AB		B
"	19-63	AB		B
VHEHZS15-3/-1	20-96	AC		B
VHEHZS27-3/-1	20-98	AC		B
VHEHZS36-1/-1	20-99	AC		B
VHEHZS6B2//1	20-95	AC		B
"	20-97	AC		B
VHEHZ2C1///-1	18-61	AA		B
"	18-62	AA		B
"	18-66	AA		B
"	18-67	AA		B
VHEHZ27-1//1	18-63	AB		B
VHEMTZJ8R2B-1	18-65	AC		B
VHE1ZC15///-1	18-64	AC		B
VHH11D8R0LA-1	20-92	AF		B
VHIAD8051//1	17-271	AN		B

PARTS CODE	No.	PRICE RANK	NEW MARK	PART RANK
VHIBA10393F-1	17-242	AC		B
VHIBU4066BCF1	17-231	AD		B
VHHCFC4053M1T	17-255	AG		B
VHIHD7021606A	17-257	BE		B
VHIHD74HC04FM	17-236	AC		B
VHIHD74HC08FM	17-256	AF		B
"	17-258	AF		B
VHIHD74HC138F	26-21	AE	N	B
VHIHD74HC14FM	17-253	AF		B
"	17-261	AF		B
VHIHD74HC157F	17-239	AH		B
VHIHD74HC244F	26-17	AE	N	B
"	26-18	AE	N	B
"	26-19	AE	N	B
VHIHD74HC32FM	17-244	AC		B
VHIHD74HC74FM	17-250	AD		B
VHIHD74LS244F	17-251	AF		B
VHIHD74LS374F	17-249	AF		B
VHIHD74LV08T1	17-246	AE		B
VHIHD813201F1	17-243	BE		B
VHILB1845//1	17-238	AY		B
VHILC82103/-1	17-237	BA		B
VHILH28F016SU	26-20	BR		B
VHILH5116NA10	17-233	AL		B
VHILR38292/-1	17-241	AY		B
VHILZ9FJ59/-1	17-248	AX		B
VHIM54666P+-1	25-12	AR	N	B
VHIM65761FP-1	17-254	BD	N	B
VHINJM2113M-1	17-260	AG		B
VHINJM2902M-1	17-267	AF		B
VHINJM2904D-1	18-22	AG		B
VHINJM2904M-1	17-232	AE		B
"	17-268	AE		B
VHINJM78M12-1	17-269	AG	N	B
VHIN78L05UA-1	17-273	AK		B
VHIPST596CMT1	17-264	AF		B
VHIR288F26/-1	17-265	BV	N	B
VHISM8578BV-1	17-259	AK		B
VHISN74HC157N	24-7	AE		B
VHITC7S00FU-1	17-270	AE		B
VHITC7S04FU-1	17-266	AD		B
VHITC74HCU04F	17-272	AE		B
VHITEA3718SDP	19-66	BA		B
"	19-69	BA		B
VHIULN2003ADR	19-68	AF		B
VHIW24010S7LE	17-252	AZ		B
"	17-263	AZ		B
VHI1M16E//J-6	17-240	AZ		B
"	17-247	AZ		B
VHI27160FBN0A	17-235	BQ	N	B
VHI27160FBP0A	17-235	BQ	N	B
VHI74VHC02F-1	19-70	AF		B
VHI74VHC04F-1	17-245	AE		B
VHI74VHC393FT	17-262	AK		B
VHPPC814X//1	18-27	AE		B
VHPSG206S//1	24-8	AG		B
"	25-15	AG		B
VHPTLP521-1BL	18-25	AE		B
VHPTLP627//1	18-26	AH		B
VHRS21MT2//1	20-52	AK		B
VHSTF321S//1	20-88	AG		B
VHSTM1241I/-1	20-93	AN		B
VHS03P2M///-3	20-89	AG		B
VHVC271D10A-1	20-47	AD		B
"	20-48	AD		B
"	20-49	AD		B
VHVERZV5D471/	18-58	AC		B
"	18-59	AC		B
VHVICPN20//1	25-11	AD		B
VHVICPS10//1	17-229	AG		B
VHVICPS18//1	17-230	AE		B
"	19-64	AE		B
VHVRA391PV6-1	18-1	AE		B
VHVTN07G101-1	18-60	AB		B
VP-1M1R0J0000	17-278	AC	N	C
VRD-HT2EY000J	17-297	AA		C
VRD-HT2EY100J	18-23	AA		C
"	18-41	AA		C
VRD-HT2EY103J	18-54	AA		C
"	18-55	AA		C

PARTS CODE	No.	PRICE RANK	NEW MARK	PART RANK
VRD-HT2EY103J	25-18	AA		C
"	25-20	AA		C
"	25-21	AA		C
"	25-22	AA		C
"	25-23	AA		C
VRD-HT2EY104J	18-34	AA		C
VRD-HT2EY124J	18-38	AA		C
VRD-HT2EY153J	24-9	AA		C
"	24-11	AA		C
VRD-HT2EY181J	24-10	AA		C
"	25-19	AA		C
VRD-HT2EY183J	18-40	AA		C
VRD-HT2EY201J	18-45	AA		C
VRD-HT2EY223J	18-48	AA		C
"	18-49	AA		C
"	18-51	AA		C
"	18-53	AA		C
VRD-HT2EY224J	18-33	AA		C
VRD-HT2EY300J	18-44	AA		C
VRD-HT2EY303J	18-42	AA		C
VRD-HT2EY332J	18-52	AA		C
VRD-HT2EY472J	18-39	AA		C
"	24-12	AA		C
"	24-13	AA		C
"	24-14	AA		C
"	24-15	AA		C
"	24-16	AA		C
"	25-17	AA		C
VRD-HT2EY621J	18-46	AA		C
"	18-47	AA		C
VRD-HT2EY751J	18-50	AA		C
VRD-HT2EY910J	18-43	AA		C
VRD-HT2HY223J	18-37	AA		C
VRD-HT2HY910J	17-295	AA		C
"	17-296	AA		C
VRD-ST2CD122J	20-66	AA		C
VRD-ST2CD124J	20-86	AB		C
VRD-ST2CD183J	20-76	AA		C
VRD-ST2CD222J	20-69	AA		C
"	20-77	AA		C
"	20-78	AA		C
"	20-79	AA		C
VRD-ST2CD223J	20-63	AA		C
"	20-70	AA		C
VRD-ST2CD274J	20-58	AB		C
"	20-59	AB		C
VRD-ST2CD330J	20-80	AA		C
"	20-81	AA		C
VRD-ST2CD331J	20-67	AA		C
VRD-ST2CD473J	20-64	AA		C
"	20-68	AA		C
VRD-ST2CD474J	20-57	AA		C
VRD-ST2HF101J	20-74	AA		C
VRD-ST2HF104J	20-75	AA		C
VRD-ST2HF122J	20-73	AA		C
VRD-ST2HF681J	20-61	AB		C
VRS-FT3DD220J	20-60	AC		C
VRS-HT3AAR47J	17-293	AC		C
"	17-294	AC		C
VRS-HT3AA133J	18-36	AB		C
VRS-RE3LA101J	25-24	AC		C
VRS-TP2BD000J	17-477	AA		C
VRS-TP2BD200J	17-544	AA		C
VRS-TP2BD222J	17-301	AA		C
VRS-TS2AD000J	17-60	AA		C
"	17-274	AA		C
"	17-275	AA		C
"	17-277	AA		C
"	17-279	AA		C
"	17-280	AA		C
"	17-299	AA		C
"	17-300	AA		C
"	17-302	AA		C
"	17-318	AA		C
"	17-321	AA		C
"	17-322	AA		C
"	17-323	AA		C
"	17-324	AA		C
"	17-325	AA		C
"	17-327	AA		C

PARTS CODE	No.	PRICE RANK	NEW MARK	PART RANK
VRS-TS2AD000J	17-329	AA		C
"	17-330	AA		C
"	17-331	AA		C
"	17-353	AA		C
"	17-355	AA		C
"	17-370	AA		C
"	17-371	AA		C
"	17-372	AA		C
"	17-373	AA		C
"	17-374	AA		C
"	17-377	AA		C
"	17-379	AA		C
"	17-400	AA		C
"	17-403	AA		C
"	17-404	AA		C
"	17-405	AA		C
"	17-406	AA		C
"	17-407	AA		C
"	17-409	AA		C
"	17-411	AA		C
"	17-412	AA		C
"	17-413	AA		C
"	17-416	AA		C
"	17-417	AA		C
"	17-418	AA		C
"	17-420	AA		C
"	17-432	AA		C
"	17-433	AA		C
"	17-434	AA		C
"	17-436	AA		C
"	17-437	AA		C
"	17-441	AA		C
"	17-449	AA		C
"	17-451	AA		C
"	17-458	AA		C
"	17-481	AA		C
"	17-482	AA		C
"	17-489	AA		C
"	17-500	AA		C
"	17-503	AA		C
"	17-504	AA		C
"	17-506	AA		C
"	17-508	AA		C
"	17-509	AA		C
"	17-510	AA		C
"	17-540	AA		C
"	17-543	AA		C
"	17-545	AA		C
"	17-546	AA		C
"	17-563	AA		C
"	17-564	AA		C
"	19-77	AA		C
"	19-101	AA		C
VRS-TS2AD100J	17-276	AA		C
"	17-310	AA		C
"	17-311	AA		C
"	17-459	AA		C
"	17-460	AA		C
"	17-490	AA		C
"	17-511	AA		C
"	17-512	AA		C
"	17-513	AA		C
"	17-514	AA		C
"	17-515	AA		C
"	17-516	AA		C
"	17-517	AA		C
"	17-518	AA		C
"	17-519	AA		C
"	17-520	AA		C
"	17-521	AA		C
"	17-522	AA		C
"	17-523	AA		C
"	17-524	AA		C
"	17-525	AA		C
"	17-526	AA		C
"	17-527	AA		C
VRS-TS2AD101J	17-307	AA		C
"	17-308	AA		C
"	17-368	AA		C
"	17-369	AA		C

PARTS CODE	No.	PRICE RANK	NEW MARK	PART RANK
VRS-TS2AD101J	17-387	AA		C
"	17-427	AA		C
"	17-428	AA		C
"	17-476	AA		C
"	17-491	AA		C
"	17-528	AA		C
"	17-561	AA		C
"	17-562	AA		C
VRS-TS2AD102J	17-326	AA		C
"	17-336	AA		C
"	17-339	AA		C
"	17-343	AA		C
"	17-447	AA		C
"	17-473	AA		C
"	17-474	AA		C
"	17-480	AA		C
"	19-88	AA		C
"	19-103	AA		C
VRS-TS2AD103J	17-298	AA		C
"	17-305	AA		C
"	17-306	AA		C
"	17-312	AA		C
"	17-316	AA		C
"	17-358	AA		C
"	17-360	AA		C
"	17-362	AA		C
"	17-364	AA		C
"	17-365	AA		C
"	17-366	AA		C
"	17-380	AA		C
"	17-399	AA		C
"	17-408	AA		C
"	17-410	AA		C
"	17-414	AA		C
"	17-415	AA		C
"	17-421	AA		C
"	17-422	AA		C
"	17-423	AA		C
"	17-424	AA		C
"	17-438	AA		C
"	17-439	AA		C
"	17-443	AA		C
"	17-444	AA		C
"	17-448	AA		C
"	17-461	AA		C
"	17-462	AA		C
"	17-463	AA		C
"	17-465	AA		C
"	17-469	AA		C
"	17-471	AA		C
"	17-483	AA		C
"	17-484	AA		C
"	17-485	AA		C
"	17-492	AA		C
"	17-493	AA		C
"	17-494	AA		C
"	17-495	AA		C
"	17-502	AA		C
"	17-529	AA		C
"	17-530	AA		C
"	17-531	AA		C
"	17-532	AA		C
"	17-533	AA		C
"	17-547	AA		C
"	19-83	AA		C
"	19-89	AA		C
"	19-90	AA		C
"	19-94	AA		C
"	19-96	AA		C
"	19-98	AA		C
"	19-99	AA		C
"	19-106	AA		C
"	19-108	AA		C
"	19-109	AA		C
"	19-110	AA		C
"	19-111	AA		C
"	19-112	AA		C
"	19-113	AA		C
"	19-118	AA		C
"	19-120	AA		C

PARTS CODE	No.	PRICE RANK	NEW MARK	PART RANK
VRS-TS2AD103J	19-121	AA		C
"	19-123	AA		C
"	19-124	AA		C
"	19-125	AA		C
VRS-TS2AD104J	17-470	AA		C
VRS-TS2AD105J	17-309	AA		C
"	17-328	AA		C
"	17-392	AA		C
VRS-TS2AD113J	17-556	AA		C
VRS-TS2AD151J	17-396	AA		C
"	17-397	AA		C
"	17-398	AA		C
"	17-507	AA		C
VRS-TS2AD153J	17-553	AA		C
VRS-TS2AD154J	17-467	AA		C
VRS-TS2AD182J	17-319	AA		C
VRS-TS2AD183J	17-440	AA		C
"	17-442	AA		C
VRS-TS2AD203J	17-426	AA		C
"	17-445	AA		C
"	17-446	AA		C
VRS-TS2AD222F	19-116	AA		C
VRS-TS2AD222J	17-435	AA		C
"	19-107	AA		C
"	19-119	AA		C
VRS-TS2AD223F	17-332	AA		C
VRS-TS2AD223J	17-549	AA		C
"	17-554	AA		C
"	17-557	AA		C
VRS-TS2AD271J	17-303	AA		C
"	17-313	AA		C
"	17-315	AA		C
"	17-344	AA		C
"	17-345	AA		C
"	17-346	AA		C
"	17-347	AA		C
"	17-348	AA		C
"	17-349	AA		C
"	17-350	AA		C
"	17-351	AA		C
"	17-354	AA		C
"	17-356	AA		C
"	17-357	AA		C
"	17-361	AA		C
"	17-388	AA		C
"	17-394	AA		C
"	17-395	AA		C
"	17-401	AA		C
"	17-402	AA		C
"	17-496	AA		C
"	17-499	AA		C
VRS-TS2AD272J	19-115	AA		C
VRS-TS2AD273J	17-550	AA		C
"	17-555	AA		C
VRS-TS2AD302J	17-320	AA		C
"	17-352	AA		C
"	17-468	AA		C
"	19-100	AA		C
VRS-TS2AD330J	17-304	AA		C
"	17-340	AA		C
"	17-341	AA		C
"	17-383	AA		C
"	17-505	AA		C
VRS-TS2AD331J	17-378	AA		C
"	17-382	AA		C
VRS-TS2AD332J	17-314	AA		C
"	17-342	AA		C
"	17-389	AA		C
"	17-390	AA		C
"	17-391	AA		C
"	17-552	AA		C
"	17-558	AA		C
"	17-559	AA		C
"	17-560	AA		C
VRS-TS2AD333F	17-334	AB		C
VRS-TS2AD333J	17-475	AA		C
"	17-541	AA		C
"	17-542	AA		C
VRS-TS2AD393F	17-335	AA		C
VRS-TS2AD393J	19-91	AA		C

PARTS CODE	No.	PRICE RANK	NEW MARK	PART RANK
VRS-TS2AD471J	17-472	AA		C
"	17-497	AA		C
"	17-498	AA		C
VRS-TS2AD472J	17-337	AA		C
"	17-363	AA		C
"	17-367	AA		C
"	17-375	AA		C
"	17-376	AA		C
"	17-381	AA		C
"	17-384	AA		C
"	17-385	AA		C
"	17-386	AA		C
"	17-419	AA		C
"	17-425	AA		C
"	17-429	AA		C
"	17-430	AA		C
"	17-431	AA		C
"	17-450	AA		C
"	17-452	AA		C
"	17-454	AA		C
"	17-455	AA		C
"	17-456	AA		C
"	17-457	AA		C
"	17-464	AA		C
"	17-478	AA		C
"	17-479	AA		C
"	17-486	AA		C
"	17-487	AA		C
"	17-488	AA		C
"	17-501	AA		C
"	19-76	AA		C
"	19-80	AA		C
"	19-82	AA		C
"	19-84	AA		C
"	19-85	AA		C
"	19-93	AA		C
"	19-95	AA		C
"	19-117	AA		C
VRS-TS2AD473J	19-87	AA		C
VRS-TS2AD513J	17-551	AA		C
VRS-TS2AD561J	17-393	AA		C
"	17-453	AA		C
VRS-TS2AD562J	17-317	AA		C
"	17-359	AA		C
"	17-466	AA		C
VRS-TS2AD563F	17-333	AA		C
"	17-338	AA		C
VRS-TS2AD563J	19-81	AA		C
"	19-105	AA		C
VRS-TS2AD680J	19-122	AA		C
VRS-TS2AD682J	19-92	AA		C
VRS-TS2AD820J	19-114	AA		C
VRS-TS2AD822J	17-548	AA		C
VRS-TS2AD910J	26-26	AA		C
"	26-27	AA		C
"	26-28	AA		C
"	26-29	AA		C
"	26-30	AA		C
"	26-31	AA		C
"	26-32	AA		C
"	26-33	AA		C
"	26-34	AA		C
"	26-35	AA		C
"	26-36	AA		C
"	26-37	AA		C
"	26-38	AA		C
"	26-39	AA		C
"	26-40	AA		C
"	26-41	AA		C
"	26-42	AA		C
"	26-43	AA		C
"	26-44	AA		C
VRS-TV2AD000J	26-22	AA		C
"	26-24	AA		C
VRS-TV2AD472J	26-23	AA		C
"	26-25	AA		C
VRS-TW2EE100J	19-97	AB		C
VRS-TW2EE221J	19-86	AB		C
VRS-TW2HFR68J	19-79	AC		C
"	19-104	AC		C

PARTS CODE	No.	PRICE RANK	NEW MARK	PART RANK
VRS-TW2HF1R3J	19-78	AC		C
"	19-102	AC		C
VRSTS2AD1373F	17-539	AA		C
VRSTS2AD4422F	17-534	AA		C
"	17-535	AA		C
"	17-536	AA		C
"	17-537	AA		C
VRSTS2AD6812F	17-538	AA		C
VSDTA114EK/-1	17-288	AB		B
"	17-289	AB		B
VSDTA114ESA-1	20-55	AC		B
VSDTB114EK/-1	19-72	AD		B
VSDTC114EK/-1	17-284	AB		B
"	17-285	AB		B
"	17-286	AB		B
"	17-287	AB		B
"	17-290	AB		B
"	17-291	AB		B
"	17-292	AB		B
VSDTC114ES/-1	17-281	AB		B
"	18-32	AB		B
VSDTC114ESA-1	20-54	AC		B
VSDTC114YU/-1	19-73	AC		B
"	19-74	AC		B
"	19-75	AC		B
VSDTD123YK/-1	19-71	AC		B
VS2SA1037KR-1	17-283	AB		B
VS2SA1807-P-1	18-30	AE		B
VS2SC1213-C1A	20-53	AC		B
VS2SD1164//1	17-281	AE		B
"	25-16	AE		B
VS2SD1200FR-1	18-29	AE		B
VS2SD1664Q/-1	17-282	AD		B
VS2SD592A-S-1	18-28	AK		B
VS2SK2185//1	20-56	AL		B
VVLLMG2025TPR	4-13	BA		B
[X]				
XBBS23P08000	1-B1	AA		C
XBPSD30P06K00	13-B1	AA		C
"	15-B1	AA		C
XBPSN40P06K00	1-B6	AA		C
XBSSN30P06000	20-B5	AA		C
XEBSD30P08000	13-B8	AA		C
"	15-B8	AA		C
XEBSD30P10000	1-B2	AA		C
"	2-B3	AA		C
"	3-B1	AA		C
"	5-B1	AA		C
"	7-B2	AA		C
"	12-B1	AA		C
"	13-B2	AA		C
"	14-B1	AA		C
"	15-B2	AA		C
XEBSE30P10000	1-B3	AA		C
"	13-B3	AA		C
"	15-B3	AA		C
XHBSD30P06000	1-B4	AA		C
"	6-B1	AA		C
"	7-B1	AA		C
"	13-B4	AA		C
"	15-B4	AA		C
XHBSE30P06000	13-B6	AA		C
"	15-B6	AA		C
XHBSE30P10000	1-B5	AA		C
"	13-B7	AA		C
"	15-B7	AA		C
XRESJ50-06000	7-E1	AA		C
XUBSD20P06000	4-B1	AA		C
[O]				
OKW0957304001	9-6	AE		C
OKW0957551601	10-15	AG		C
OKW0972300901	9-1	AF		C
OKW0993204501	8-8	AC		C
OKW4109053103	8-12	BY		E
OKW4109075404	10-30	BD		C
OKW4109075501	11-44	BD		C
OKW4109075605	11-3	BC		E
OKW4109076001	11-48	BB		C
OKW4109201301	11-1	AF		C
OKW4109201502	11-4	AC		C

PARTS CODE	No.	PRICE RANK	NEW MARK	PART RANK
OKW4109202102	8-14	AD		C
OKW4109202201	11-2	AC		D
OKW4109202301	11-6	AD		D
OKW4109202401	8-13	AF		D
OKW4109203902	11-28	AG		C
OKW4109206001	11-31	AF		C
OKW4109250101	11-10	AL		C
OKW4109250201	11-11	AL		C
OKW4109250301	11-7	AH		C
OKW4109250401	11-30	AK		C
OKW4109250501	11-9	AF		C
OKW4109250601	11-13	AF		C
OKW4109250701	11-12	AF		C
OKW4109250801	11-26	AG		C
OKW4109251001	11-23	AF		C
OKW4109251101	11-27	AF		C
OKW4109251201	11-29	AL		C
OKW4109251401	11-14	AF		C
OKW4109251501	11-15	AD		C
OKW4109251601	11-25	AD		C
OKW4109251701	11-24	AF		C
OKW4109251801	11-21	AF		C
OKW4109251901	11-20	AF		C
OKW4109301003	9-16	AF		C
OKW4109301302	8-15	AD		C
OKW4109301412	9-13	AD		C
OKW4109301514	9-12	AD		C
OKW4109302005	8-5	AL		C
OKW4109302202	8-3	AC		C
OKW4109303301	9-11	AF		C
OKW4109303413	9-15	AF		C
OKW4109304103	9-23	AC		C
OKW4109305101	9-17	AD		C
OKW4109305201	9-21	AG		C
OKW4109350203	9-9	AH		C
OKW4109410301	11-42	BF		C
OKW4109410403	11-47	AH		C
OKW4109410703	11-45	AC		C
OKW4109410802	11-37	AC		C
OKW4109411102	11-40	AF		C
OKW4109411201	11-33	AD		C
OKW4109411403	11-46	AF		C
OKW4109411503	11-38	AF		C
OKW4109411702	11-41	AH		C
OKW4109411803	11-43	AD		C
OKW4109550101	10-23	BF		C
OKW4109550201	10-10	BD		C
OKW4109550312	10-20	AN		C
OKW4109550503	10-6	BA		C
OKW4109551201	10-11	AL		C
OKW4109551601	10-14	AC		C
OKW4109551701	10-3	AC		C
OKW4109551801	10-5	AF		C
OKW4109552101	10-12	AK		C
OKW4109552201	10-25	AL		C
OKW4109552402	10-19	AG		C
OKW4109552501	10-29	AG		C
OKW4109552601	10-26	AF		C
OKW4109553001	10-4	AC		C
OKW4109553301	10-13	AL		C
OKW4109554101	10-18	AD		C
OKW4109554201	10-21	AD		C
OKW4109554301	10-16	AD		C
OKW4109554401	10-22	AD		C
OKW4109555001	10-31	AQ		C
OKW4109620201	11-34	BR		E
"	22-901	BR		E
OKW4109630101	11-36	AN		C
OKW4109630201	10-17	AY		B
OKW4109650201	10-24	BB		B
OKW4109670101	10-27	AY		B
OKW4110075101	9-5	AT		C
OKW4110301801	9-10	AC		C
OKW4110350301	9-22	AC		C
OKW4110551101	10-7	AH		C
OKW4110553501	10-8	AH		C
OKW4110553601	10-9	AS		C
OKW4122010202	8-4	BD		E
"	23-901	BD		E
OKW4122020101	9-25	AG		C



# SHARP

**COPYRIGHT © 2000 BY SHARP CORPORATION**

**ALL RIGHTS RESERVED.**

No part of this publication may be reproduced, stored in a retrieval system, or transmitted in any form or by any means, electronic, mechanical, photocopying, recording, or otherwise, without prior written permission of the publisher.

**SHARP CORPORATION**  
**Communication Systems Group**  
**Quality & Reliability Control Center**  
**Higashihiroshima, Hiroshima 739-0192, Japan**  
**Printed in U.S.A.**

**A0001-2045SS•IS•T**